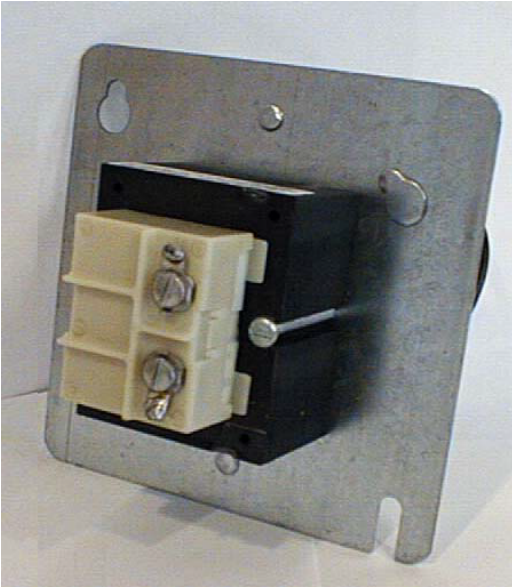


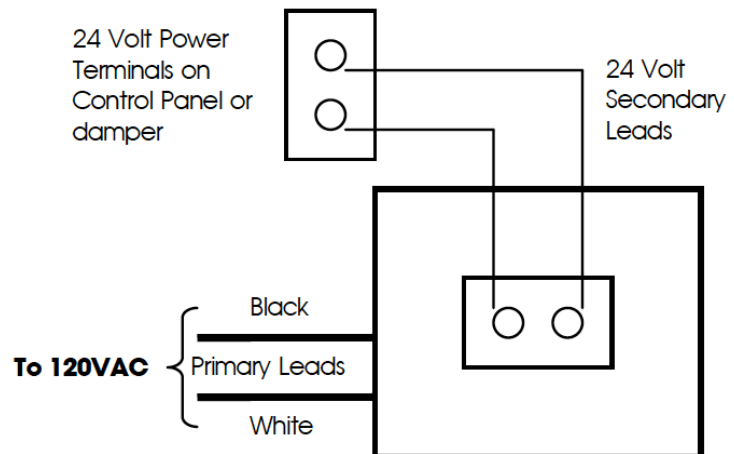
24 VOLT TRANSFORMER



The T24 is a 120 Volts AC to 24 Volt AC, step-down transformer used to power any of Zone-A-Trol's dampers and controls. The plate mounted model makes for easy installation on any standard 4"x4" junction box.

The 6" leads connect to the 120 Volts for the transformer primary. The screw terminals provide for easy wiring of 18 gauge thermostat wire for any of Zonefirst's control panels or dampers. The 40VA output can power up to five (5) spring retrun dampers or a control panel with up to four (4) dampers.

- Energy Limiting Design
- UL and CSA Listed
- 24 Volt 40VA Output



SPECIFICATIONS

Primary Voltage: 120 Volts AC, 50/60 Hz

Secondary Voltage: 24 Volts AC, 40VA

Temperature Rating: 150°F Maximum Ambient

Connection: Primary 6" Wire Leads 6/32 Secondary Screw Terminals

Dimensions: 4.25" x 4.25"