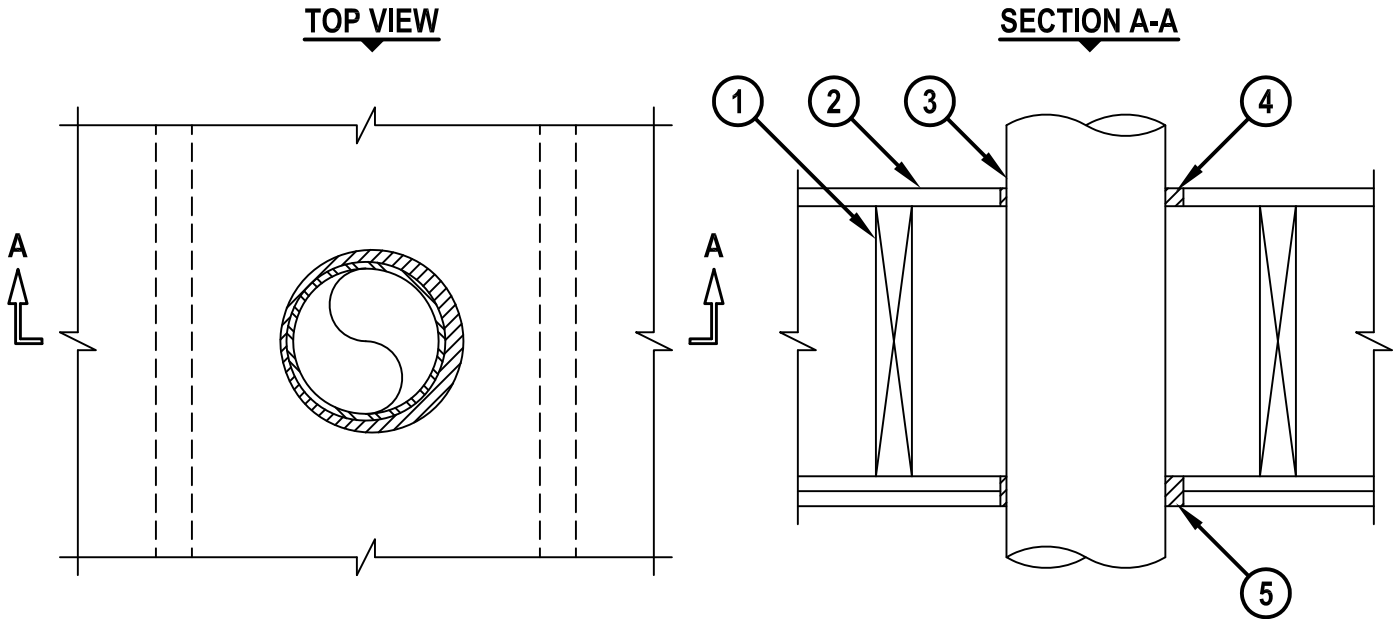


METAL PIPE THROUGH WOOD FLOOR/CEILING ASSEMBLY

F-RATING = 1-HR. OR 2-HR.
T-RATING = 0-HR. OR 1/2-HR.

FC1059j.010715



1. WOOD FLOOR/CEILING ASSEMBLY (UL/cUL CLASSIFIED L500 SERIES) (1-HR. OR 2-HR. FIRE-RATING) (2-HR. SHOWN).
2. LUMBER OR PLYWOOD SUBFLOOR WITH FINISH FLOOR OF LUMBER, PLYWOOD, OR FLOOR TOPPING MIXTURE.
3. PENETRATING ITEM TO BE ONE OF THE FOLLOWING :
 - A. MAXIMUM 6" NOMINAL DIAMETER STEEL PIPE (SCHEDULE 40 OR HEAVIER).
 - B. MAXIMUM 6" NOMINAL DIAMETER CAST IRON PIPE.
 - C. MAXIMUM 6" NOMINAL DIAMETER STEEL CONDUIT.
 - D. MAXIMUM 4" NOMINAL DIAMETER EMT.
 - E. MAXIMUM 2" NOMINAL DIAMETER FLEXIBLE STEEL CONDUIT.
4. MINIMUM 3/4" DEPTH HILTI FS-ONE MAX OR FS-ONE INTUMESCENT FIRESTOP SEALANT FLUSH WITH TOP SURFACE OF SUBFLOOR OR SOLE PLATE.
5. HILTI FS-ONE MAX OR FS-ONE INTUMESCENT FIRESTOP SEALANT FLUSH WITH BOTTOM SURFACE OF CEILING OR LOWER TOP PLATE :
 - A. MINIMUM 5/8" DEPTH OF SEALANT FOR A 1-HR. FIRE-RATING.
 - B. MINIMUM 1-1/4" DEPTH OF SEALANT FOR A 2-HR. FIRE-RATING.

NOTES : 1. MAXIMUM DIAMETER OF OPENING = 7-5/8".
 2. ANNULAR SPACE = MINIMUM 1/4", MAXIMUM 3/4".
 3. CHASE WALL (NOT SHOWN, OPTIONAL) - THE THROUGH PENETRANT MAY BE ROUTED THROUGH A 1-HR. OR 2-HR. FIRE-RATED GYPSUM CHASE WALL ASSEMBLY.



HILTI, Inc.
Tulsa, Oklahoma USA (800) 879-8000

Sheet	1 of 1
Scale	1/8" = 1"
Date	Jan. 07, 2015

Drawing No.
**FC
1059j**