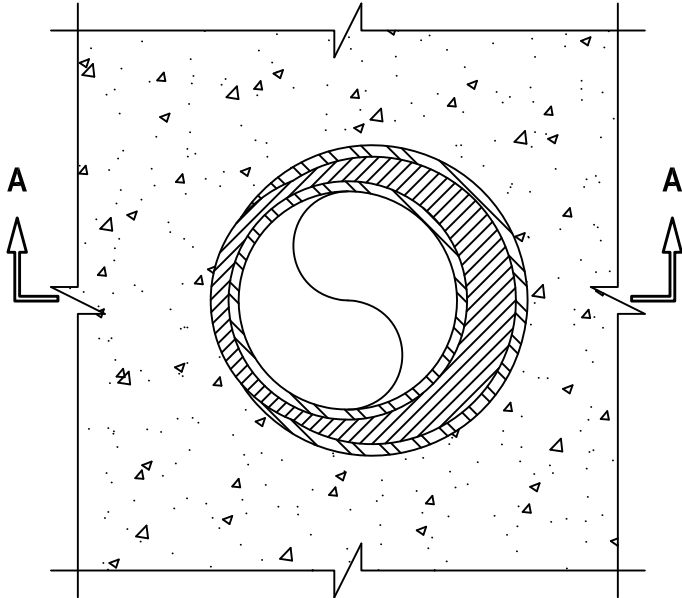


**METAL PIPE THROUGH CONCRETE FLOOR/WALL OR BLOCK WALL**

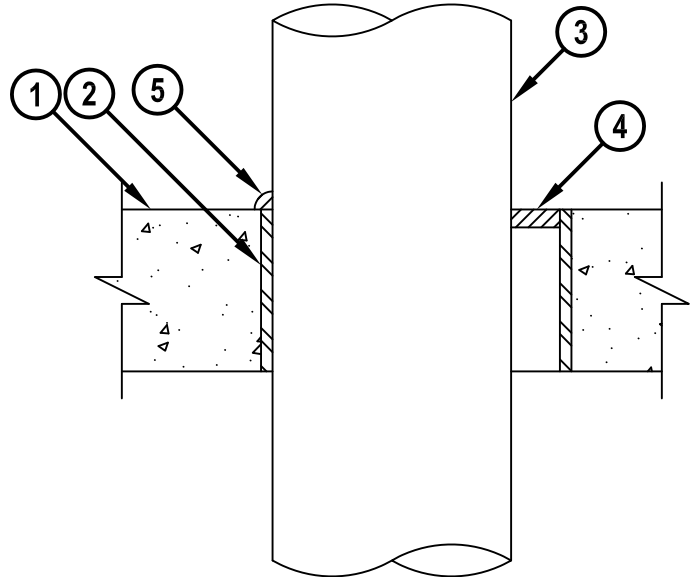
F-RATING = 2-HR.  
 FT, FH, FTH-RATINGS = 0-HR.

cUL CAJ1022a.060408

**TOP VIEW**



**SECTION A-A**



1. CONCRETE FLOOR OR WALL ASSEMBLY (2-HR. FIRE-RATING) :
  - A. LIGHTWEIGHT OR NORMAL WEIGHT CONCRETE FLOOR OR WALL (MIN. 4-1/2" THICK).
  - B. ANY UL/cUL CLASSIFIED CONCRETE BLOCK WALL.
2. [OPTIONAL] MAXIMUM 32" NOMINAL DIAMETER STEEL PIPE SLEEVE (SCHEDULE 40 OR HEAVIER).
3. PENETRATING ITEM TO BE ONE OF THE FOLLOWING :
  - A. MAXIMUM 30" NOMINAL DIAMETER STEEL PIPE (SCHEDULE 10 OR HEAVIER).
  - B. MAXIMUM 30" NOMINAL DIAMETER CAST IRON PIPE.
  - C. MAXIMUM 6" NOMINAL DIAMETER COPPER PIPE.
  - D. MAXIMUM 6" NOMINAL DIAMETER STEEL CONDUIT.
  - E. MAXIMUM 4" NOMINAL DIAMETER EMT.
4. MINIMUM 1/2" DEPTH HILTI CP 606 FLEXIBLE FIRESTOP SEALANT.
5. MINIMUM 1/4" BEAD HILTI CP 606 FLEXIBLE FIRESTOP SEALANT AT POINT OF CONTACT.

**NOTES :** 1. MAXIMUM DIAMETER OF OPENING = 31-7/8".  
 2. ANNULAR SPACE = MINIMUM 0", MAXIMUM 1-7/8".  
 3. MINIMUM 1/2" DEPTH HILTI CP 606 FLEXIBLE FIRESTOP SEALANT IS REQUIRED ON BOTH SIDES OF A WALL ASSEMBLY.



HILTI, Inc.  
 Tulsa, Oklahoma USA (800) 879-8000

Sheet	1 of 1
Scale	3/16" = 1"
Date	June 04, 2008

Drawing No.  
**cUL**  
**CAJ1022a**