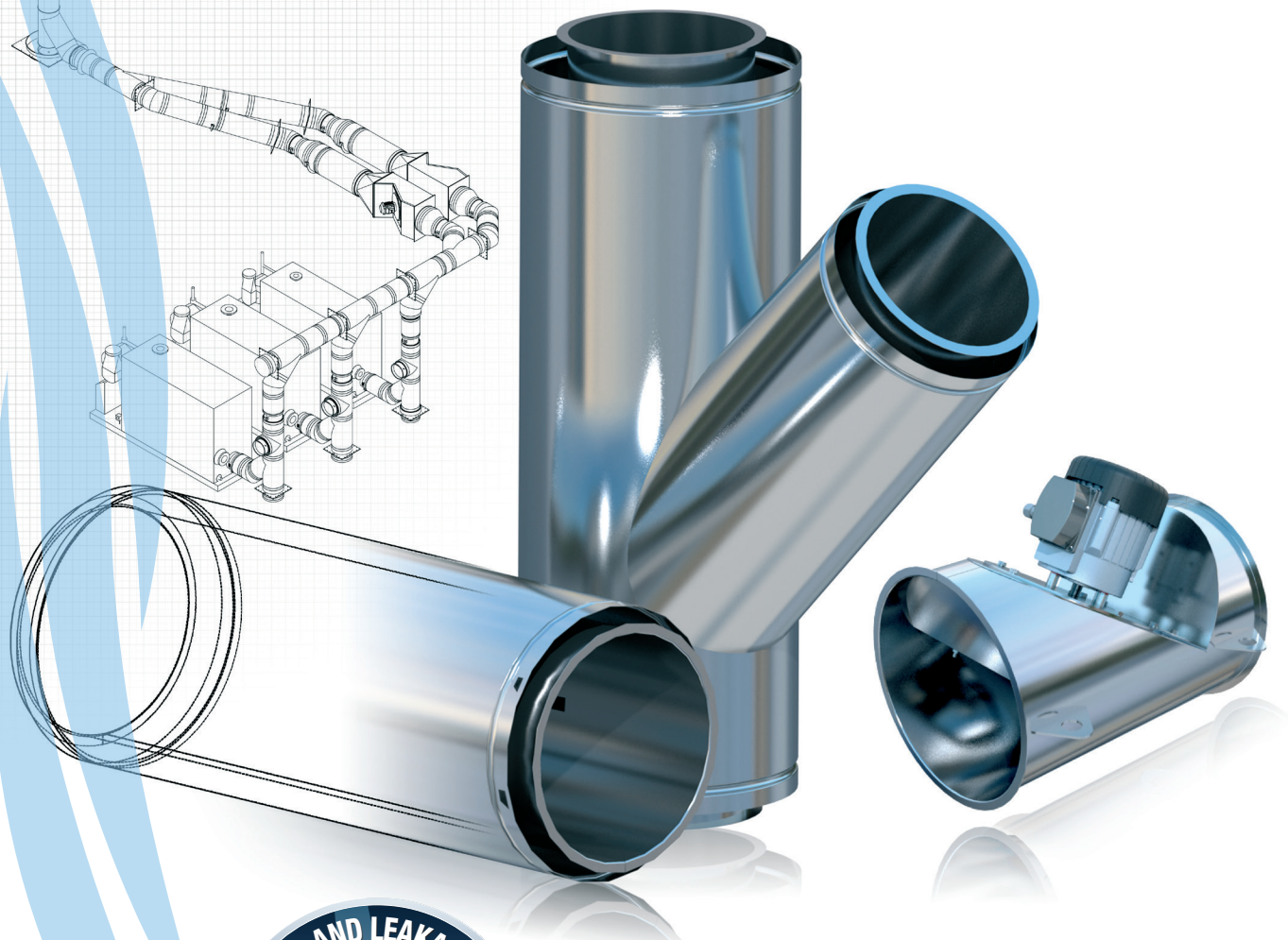


THE ULTIMATE VENTING SYSTEM

TECHNICAL DATA & PARTS CATALOG



POWERSTACK FOR:

**PRESSURE STACK
GENERATOR EXHAUST
SPECIAL GAS VENT
CHIMNEY LINER
GREASE DUCT**

ENERVEX[®] 
VENTING DESIGN SOLUTIONS



ENERVEX:

INNOVATIVE VENTING DESIGNS, ENGINEERED FOR SAVINGS

ENERVEX is a world-leading supplier of mechanical draft systems and integrated venting design solutions. We introduced the industry's first mechanical draft fan in 1958 and today deliver custom-built, one-stop venting systems from boiler outlet to chimney termination. We serve customers in North and Central America as well as the Middle East from our 80,000-sq. ft. facility in Atlanta, GA.

Every ENERVEX solution is evaluated and built from the ground up with careful evaluation of the unique cost variables and long-term financial savings for each customer. Through superior manufacturing technology and decades of experience, we're delivering high-quality, listed and certified venting solutions that are economical, environmentally sustainable, aesthetically pleasing, reliable, and code compliant. Backed by the best performance guarantee in the business.

Since the invention of the chimney fan, ENERVEX continues to bring industry-first innovation to market:

- Modulating mechanical draft systems (1991)
- Modulating combustion air supply systems (1995)
- True inline mechanical draft fans (2006)
- Fan-powered flue gas economizers (2011)
- Inline flue gas economizer with modular heat exchanger systems (2013)
- Ultra-energy efficient, permanent-magnet motors – standard in most fan products (2015)
- Single universal chimney systems listed for virtually all venting applications (2015)
- High-temperature, pressure, and leak-resistant graphite gaskets for sealing fan & chimney joints (2015)
- ONLY supplier with a 5-Year Performance and Leakage Guarantee

ENERVEX designs and builds all of these products under a single, highly respected name and take full responsibility for operational excellence. That's our performance guarantee, and the reason why the ENERVEX brand has been trusted by some of the most successful projects in the world.



THE ULTIMATE VENTING SYSTEM

AN INTEGRATED VENTING SOLUTION

ENERVEX has reinvented the way you design and install chimney systems for your projects.

No need to deal with a chimney supplier, draft fan supplier, economizer supplier, and combustion air supplier separately.

"The Ultimate Venting System" is an integrated chimney venting solution that combines ALL of the products and accessories you'll need to complete a project, from boiler outlet to chimney termination. It's a one-stop design that provides a guaranteed fit for any type of building, any application, any appliance - condensing or non-condensing.

Better performance, easier installation, better specifications, fewer drawings, and no inspection issues because all components are meant to work together as a complete system.

SINGLE-SUPPLIER RESPONSIBILITY

ENERVEX designs and manufactures all products under a single, highly respected name, we take full responsibility for operational excellence. That's the ENERVEX performance guarantee, and the reason why our brand has been trusted by some of the most successful projects in the world

- Flexible, one-stop design
- Guaranteed fit for all parts and components
- Single point of responsibility
- Less coordination and administration
- Compliance with codes and regulations

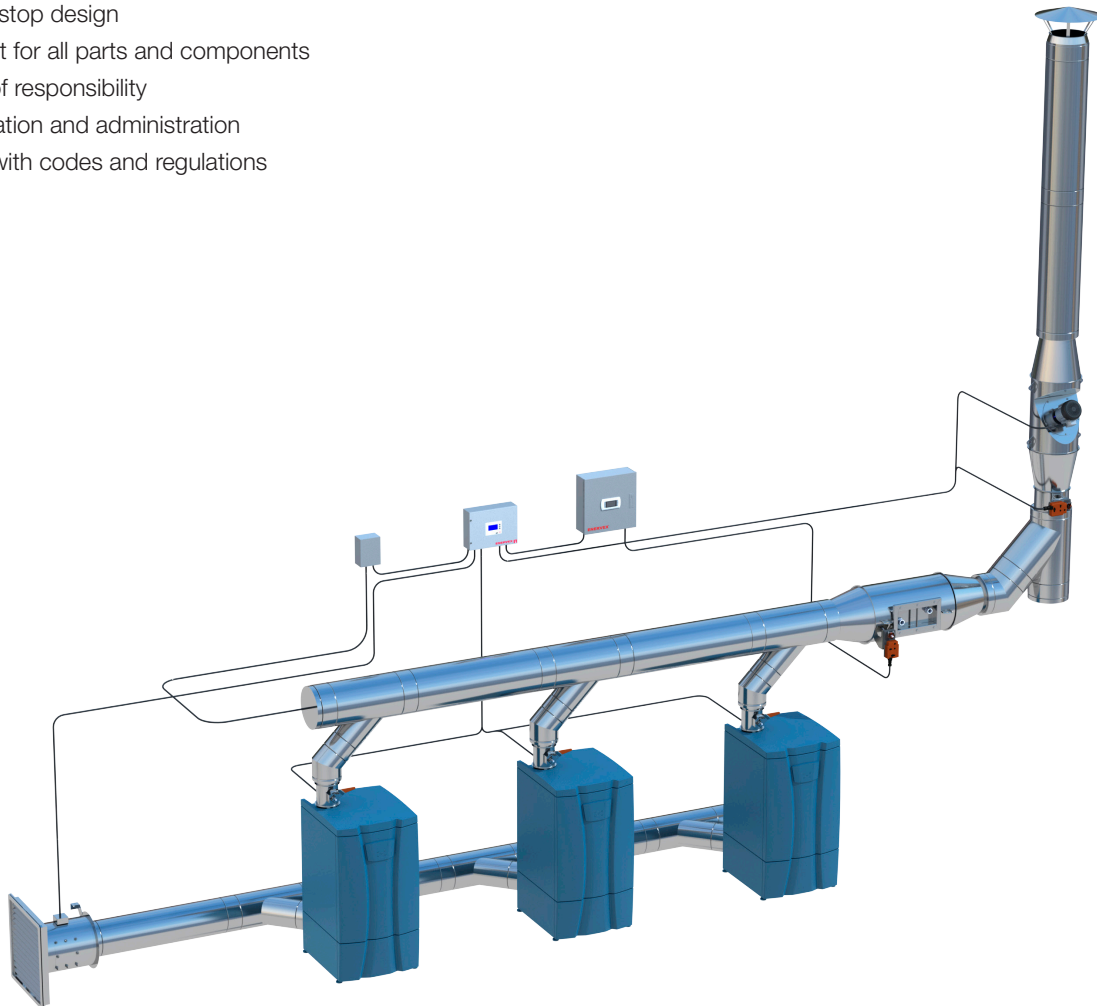
PRODUCT LISTING

All products and components are tested to appropriate UL/ULC Standards and are listed by UL or Intertek. From chimney to dampers, fans and controls. A feature no other chimney manufacturer can offer.

MULTIPLE USES

The use of our products is not limited to boilers and water heaters. Our products are also tested and listed for and can be used with:

- Generators
- Engine exhaust
- Fume venting
- Grease duct
- Pizza oven chimney
- BBQ chimney/exhaust
- Dishwasher exhaust



SELECTION GUIDE

GENERAL INFORMATION

The information in this catalog is provided to assist you with application information, codes and standards, dimensional information, support requirements and other data needed in conjunction with the use of ENERVEX's "Ultimate Venting System".

Unless otherwise indicated, all dimension are in inches (mm).

We will be happy to assist you with designing your project and can provide both design calculations and job-specific installation drawings in 2D and 3D.

For additional information you may contact us via:

Phone: +1 770-587-3238

email: info@enervex.com

Web: www.enervex.com

Complete information for proper and safe installation can be found in Powerstack Installation Instructions.

STANDARD AND LISTINGS

US:

NFPA 37	Standard For the Installation and Use of Stationary Combustion Engines and Gas Turbines.
NFPA 54	National Fuel Gas Code
NFPA 211	Standard for Chimneys, Fireplaces, Vents, and Solid-Fuel Burning Appliances
UL 17	Standard for Vent or Chimney Connector Dampers for Oil-Fired Appliances
UL 103	Standard for Factory-Built Chimneys for Residential Type and Building Heating Appliances
UL 378	Standard for Draft Equipment
UL 1738	Standard for Venting Systems for Gas-Burning Appliances, Categories II, III and IV.
UL 1777	Standard for Chimney Liners
UL 1978	Standard for Grease Duct
UL 2561	Standard for 1400°F Chimneys

CANADA:

B139	Installation Code for Oil Burning Equipment
B149	Natural Gas and Propane Installation Code
ULC/ ORD-C378	Standard for Draft Equipment
ULC/ ORD-C959	540°C and 760°C Industrial Chimney
ULC-S635	Standard for Chimney Lining Systems for Existing Masonry or Factory-Built Chimneys and Vents
ULC-S636	Standard for BH Gas Venting Systems
ULC-S662	Standard for Factory-Built Grease Ducts

PRODUCT CODES AND PART NUMBERS

All parts manufactured by ENERVEX are identified by numbers and letters that describe makeup and function. For example:

16EPS1-T90

1. First two digits identify the component's internal diameter in inches. In this case the internal diameter is 16 inches.
2. The next three or four digits identify the materials used and the insulation thickness. Choices are:
EPS = single wall
EPS1 = double-wall, 1 inch insulation
EPS2 = double-wall, 2 inch insulation
EPS4 = double-wall, 4 inch insulation
Inner wall is always stainless steel 316L-PCM and outer casing is always stainless steel 304 (glossy)

3. Followed by a dash, finally the product's code Code is listed, such as T90 for a 90° Tee.

For products with reduction or increaser parts, the part number changes as follows:

For a 90° Tee with a 24" body and an 18" snout, the part number is

24EPS1-18T90

For a tapered increaser with an 16" inlet and a 20" outlet, the part number is:

16EPS1-20TI

CONTENT

THE ULTIMATE VENTING SYSTEM

Assembly and Construction	6
Listings and Certifications.....	6
Materials and Ratings.....	6
Materials Thickness.....	6

CLEARANCE TO COMBUSTIBLE

Clearance for 1000°F (538°C) Building Heating Appliances and	7
1400°F (760°C) Factory Built Chimney	7
Clearances for Special Gas Vent	7
Clearances for Grease Ducts for Restaurant Cooking Appliances... 8	8
Casing Temperature Chart.....	8

SUPPORT DATA

9

JOINT ASSEMBLY PARTS

U-band (UB).....	10
Channel Band (CB)	10
Half Channel Band (HCB).....	10
V-band (VB).....	10
Graphite Gasket (GG).....	11
High Temperature Silicone (HTS)	11
Weathering Sealant (WS).....	11
Closure Band (CLS).....	11
Cover Jacket (CJ).....	11

STRAIGHT LENGTHS

Straight Lengths (SL).....	12
Adjustable Lengths (AL).....	13
Lined Bellow Joint (BJ).....	14
Inline Access Door Section (IAD)	14
Drain Section (DS).....	14
One-step Tapered Increaser/Reducer (TI / TR).....	15
Two-step Tapered Increaser/Reducer (TI / TR).....	15
Eccentric Tapered Increaser (ETI).....	16
Step Increaser/Reducer (SI / SR).....	16
Eccentric Step Increaser/Reducer (ESI / ESR)	16

FITTINGS

90 and 87 Tee (T90 / T87)	17
45 Lateral Tee (T45).....	18
90 WYE (Y90).....	19
90 and 87 Elbows (L90 / L87)	20
45 Elbow (L45).....	21
30 Elbow (L30).....	22
15 Elbow (L15).....	23
3 Elbow (L3).....	24
Drain Tee Cap (DTC).....	25
Tee Cap (TC).....	25
Grease Duct Tee Cap (GDC).....	25

CONNECTIONS

Universal Boiler Kit Adapter (UBK)	26
Flange Adapter Kit (FAK)	26
Seal Ring (SR)	26
ANSI Flange Adapter (AFA).....	27
Exhaust Flex Connector (SFX / DFX).....	27
Flanged Hood Connection (FHC).....	28
Unflanged Hood Connection (UHC).....	28
Hood Transition (HT).....	28

TERMINATIONS

Stack Cap (SK)	29
Stack Closure Section (ST).....	30
Miter Section (MS).....	30
Excessive Pressure Relief Valve (ERV).....	30
Flip Top (FT)	31
Fan Plate Adapter (FPA)	31
Plenum Box (PLX)	31

SUPPORTS

Support Plate Assembly (SPA).....	32
Vertical Support Assembly (VSA)	33
Wall Guide (WG).....	34
Floor Guide (FG).....	35
Full Angle Ring / Half Angle Ring (FR/HR)	36
Guy Section Assembly (GAS)	37
Centering Band (CTB)	37

PENETRATIONS

Wall Firestop (WFS)	38
Insulated Roof/Wall Thimble (IT).....	38
Flashings (FL)	40
Telescopic Flashing (TLF).....	41
Storm Collar (SC)	42

TRANSITIONS

Transition to Flanged Connection (TFF).....	43
Transition for Bolt Flange Connection (TFB)	43
Step Transition for Bolt Flange Connection (SFB).....	43

DAMPERS

Modulating Draft Damper (IMDF)	44
Automatic Vent Damper (ADF).....	45
Balancing Baffle (BBF).....	46
Barometric Damper (BDF)	47

MECHANICAL DRAFT FANS

Inline Power Venter (TDF)	48
Inline Power Venter (IPVB)	49
Chimney Termination Fan (RSV).....	50

ECONOMIZERS - FLUE GAS

Economizer - Single Row (VHX).....	51
Economizer - Double Row (VHX)	52
Economizer - Stacked Rows (VHX).....	53

DESIGN SERVICE

Complete Design Support	54
Chimney Calculation Details	54
Installation Details.....	55
Bill of Materials and Isometric Illustrations.....	55

WARRANTY

Standard 1-Year Warranty	56
Extended 15-Year Warranty.....	56

ASSEMBLY AND CONSTRUCTION

The Powerstack products incorporate a unique male/female joint design that eliminates the need for traditionally used sealants. This is achieved by the use of a high temperature, high pressure graphite gasket.

The gasket is factory fitted to the face of the male fitting's flange.

The "U" band (locking band) is designed to compensate for the hoop expansion within its channel while still applying sufficient force to ensure the correct compression of the joint.

The design makes the joint very strong, pressure and liquid tight. The graphite gasket, which is inert to corrosive condensates, virtually eliminates the risk of leakage, when properly installed.

ALIGNMENT COLLAR

Fitted to the flange facing the appliance to facilitate easy alignment of pipes during installation.

GRAPHITE GASKET

Fitted to the flange and bonded to the face of the flange. Once assembled, the gasket is compressed between the mating flanges to form a gas and liquid tight seal.

"U" BAND

Positioned around the circumference of the flanges and captivates the gasket between the faces of the flanges.

CHANNEL BAND

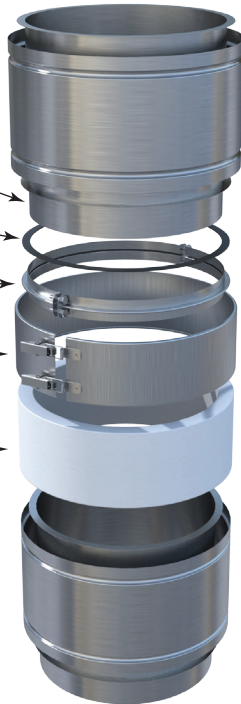
Finishes the assembly by covering the gap between the connected pipe. Locks it in place without tools with two snap locks

INSULATION

The uninsulated gap between the pipes is wrapped around the joint with an insulation blanket

FINISHING TOUCH

Where the chimney is installed outside the building, a bead of clear sealant is applied around the top of the channel band to provide weathering.



The Powerstack assembly showing the glossy outer case and the snap-locked Channel Band (CB).

A NICE AND FINISHED LOOK!



LISTINGS & CERTIFICATIONS

	EPS	EPS1	EPS2	EPS4
UL File No.	MH61178			
UL 103	x	x	x	x
UL 1738	x	x	x	x
UL 1777	x			
UL 1978	x	x	x	x
UL 2561		x	x	x
ULC S636	x	x	x	x
ULC S662	x	x	x	x

MATERIALS AND RATINGS

	EPS	EPS1	EPS2	EPS4
MATERIAL:				
Flue Liner	316L-PCM Stainless Steel			
Outer Case	None	304 Stainless Steel		
INSULATION:				
Insulation Thickness		1" (25mm)	2" (50mm)	4" (100mm)
Insulation Type	Insulfrax 8.14 lbs/cu.ft. (128 kg/m ³)			
PRESSURE:				
Pressure Capability	Positive - Neutral - Negative			
Max Pressure	60" Wg (14945 Pa)			
TEMPERATURE RATING				
Building Heating Appliances	1000°F (538°C)			
1400°F Factory-Built Chimneys	1400°F (760°C)			

MATERIALS THICKNESS

	EPS	EPS1	EPS2	EPS4
FLUE LINER:				
6"-24" (150mm - 600mm)		0.024" (0.6mm)		
26"-38" (650mm-950mm)		0.04" (1.0mm)		
40"-48" (1000-1200mm)		0.048" (1.2mm)		
OUTER CASE:				
6"-24" (150mm - 600mm)	NA	0.024" (0.6mm)		
26"-48" (650mm-1200mm)	NA	0.032" (0.8mm)		

SUPPORT DATA

SIZE	PRODUCT WEIGHT LB/FT (KG/M)			
	EPS	EPS1	EPS2	EPS4
4 (100)	1.08 (1.6)	3.83 (5.7)	6.59 (9.8)	10.82 (16.1)
6 (150)	1.61 (2.4)	5.17 (7.7)	8.00 (11.9)	12.50 (18.6)
8 (200)	2.15 (3.2)	6.52 (9.7)	9.48 (14.1)	14.31 (21.3)
10 (250)	2.62 (3.9)	7.86 (11.7)	11.02 (16.4)	16.80 (25.0)
12 (300)	3.16 (4.7)	9.21 (13.7)	12.50 (18.6)	18.68 (27.8)
14 (350)	3.56 (5.3)	10.62 (15.8)	14.72 (21.9)	20.50 (30.5)
16 (400)	9.38 (6.3)	12.77 (19.0)	16.33 (24.3)	22.38 (33.3)
18 (450)	4.77 (7.1)	14.11 (21.0)	17.88 (26.6)	24.26 (36.1)
20 (500)	5.38 (8.0)	15.59 (23.2)	19.42 (28.9)	24.73 (38.8)
22 (550)	5.85 (8.7)	17.07 (25.4)	21.03 (31.3)	27.96 (41.6)
24 (600)	6.35 (9.5)	18.48 (27.5)	22.58 (33.6)	27.77 (44.3)
26 (650)	10.34 (15.4)	24.93 (37.1)	29.84 (44.4)	36.42 (54.2)
28 (700)	11.09 (16.5)	26.81 (39.9)	32.05 (47.7)	38.91 (57.9)
30 (750)	11.89 (17.7)	28.63 (42.6)	34.20 (50.9)	41.46 (61.7)
32 (800)	12.70 (18.9)	30.51 (45.4)	36.42 (54.2)	44.02 (65.5)
34 (850)	13.51 (20.1)	32.32 (48.1)	38.57 (57.4)	46.50 (69.2)
36 (900)	14.31 (21.3)	34.20 (50.9)	40.79 (60.7)	49.06 (73.0)
38 (950)	15.12 (22.5)	36.09 (53.7)	43.01 (64.0)	51.61 (76.8)
40 (1000)	21.17 (31.5)	41.26 (61.4)	48.52 (72.2)	57.46 (85.5)
44 (1100)	22.31 (33.2)	45.29 (67.4)	53.22 (79.2)	62.90 (93.6)
48 (1200)	24.33 (36.2)	49.39 (73.5)	58.20 (86.3)	68.28 (101.6)

SIZE	MAX. HORIZONTAL GUIDE SPACING			
	EPS	EPS1	EPS2	EPS4
All Diameters		13' (4.0m)		

SIZE	MAX. SUPPORT ABOVE SUPPORT PLATE ASSEMBLY			
	EPS	EPS1	EPS2	EPS4
4-6 (100-150)	350' (106.7m)	175' (53.3m)	100' (30.4m)	70' (21.3m)
8-12 (200-300)	350' (106.7m)	175' (53.3m)	100' (30.4m)	90' (27.4m)
14-24 (350-600)	350' (106.7m)	175' (53.3m)	100' (30.4m)	90' (27.4m)
26-38 (650-950)	275' (83.8m)	110' (33.5m)	100' (30.4m)	90' (27.4m)
40-48 (1000-1200)	200' (61.0m)	100' (30.5m)	90' (30.5m)	75' (22.9m)

SIZE	MAX. SUPPORT ABOVE WALL SUPPORT ASSEMBLY			
	EPS	EPS1	EPS2	EPS4
4-6 (100-150)	270' (82.3m)	160' (57.9m)	120' (36.6m)	75' (22.9m)
8-12 (200-300)	270' (82.3m)	140' (57.9m)	110' (33.5m)	75' (22.9m)
14-24 (350-600)	240' (73.2m)	120' (45.7m)	90' (30.5m)	75' (22.9m)
26-38 (550-950)	200' (61.0m)	80' (36.6m)	75' (22.9m)	60' (18.3m)
40-48 (1000-1200)	150' (45.7m)	70' (21.3m)	70' (21.3m)	60' (18.3m)

SIZE	MAX. SUPPORT ABOVE BASE SUPPORTED TEE			
	EPS	EPS1	EPS2	EPS4
4-10 (100-250)	40' (12.2m)	45' (13.7m)	25' (7.6m)	15' (4.6m)
12-24 (200-600)	40' (12.2m)	45' (13.7m)	25' (7.6m)	15' (4.6m)
26-38 (650-950)	65' (19.8m)	25' (7.6m)	20' (6.1m)	15' (4.6m)
40-48 (1000-1200)	50' (15.2m)	20' (6.1m)	20' (6.1m)	15' (4.6m)

SIZE	MAX. VERTICAL GUIDE SPACING			
	EPS	EPS1	EPS2	EPS4
4-24 (100-600)		13' (4.0m)		
26-48 (650-1200)		13' (4.0m)		

SIZE	MAX. FREESTANDING ABOVE ROOF			
	EPS	EPS1	EPS2	EPS4
4 (100)		8.2' (2.5m)		
6-48 (150-1200)		10' (3.0m)		

CLEARANCE TO COMBUSTIBLE

CLEARANCES FOR 1000°F (538°C) BUILDING HEATING APPLIANCE CHIMNEY AND 1400°F (760°C) FACTORY BUILT CHIMNEY

SIZE	CLEARANCE (UNENCLOSED)			
	EPS	EPS1	EPS2	EPS4
4 (100)	18 (457)	1 (25)	0.5 (13)	0.5 (13)
6 (150)	18 (457)	1 (25)	0.5 (13)	0.5 (13)
8 (200)	18 (457)	1 (25)	0.5 (13)	0.5 (13)
10 (250)	18 (457)	1 (25)	0.5 (13)	0.5 (13)
12 (300)	18 (457)	2 (51)	1 (25)	0.5 (13)
14 (350)	18 (457)	2 (51)	1 (25)	0.5 (13)
16 (400)	18 (457)	3 (76)	2 (51)	1 (25)
18 (450)	18 (457)	3 (76)	2 (51)	1 (25)
20 (500)	18 (457)	3 (76)	2 (51)	1 (25)
22 (550)	18 (457)	3 (76)	2 (51)	1 (25)
24 (600)	18 (457)	4 (102)	2 (51)	1 (25)
26 (650)	18 (457)	4 (102)	2 (51)	1 (25)
28 (700)	18 (457)	4 (102)	2 (51)	1 (25)
30 (750)	18 (457)	4 (102)	2 (51)	1 (25)
32 (800)	18 (457)	5 (127)	3 (76)	2 (51)
34 (850)	18 (457)	5 (127)	3 (76)	2 (51)
36 (900)	18 (457)	5 (127)	3 (76)	2 (51)
38 (950)	18 (457)	5 (127)	3 (76)	2 (51)
40 (1000)	18 (457)	6 (152)	3 (76)	2 (51)
44 (1100)	18 (457)	6 (152)	3 (76)	2 (51)
48 (1200)	18 (457)	6 (152)	3 (76)	2 (51)

CLEARANCES FOR SPECIAL GAS VENT

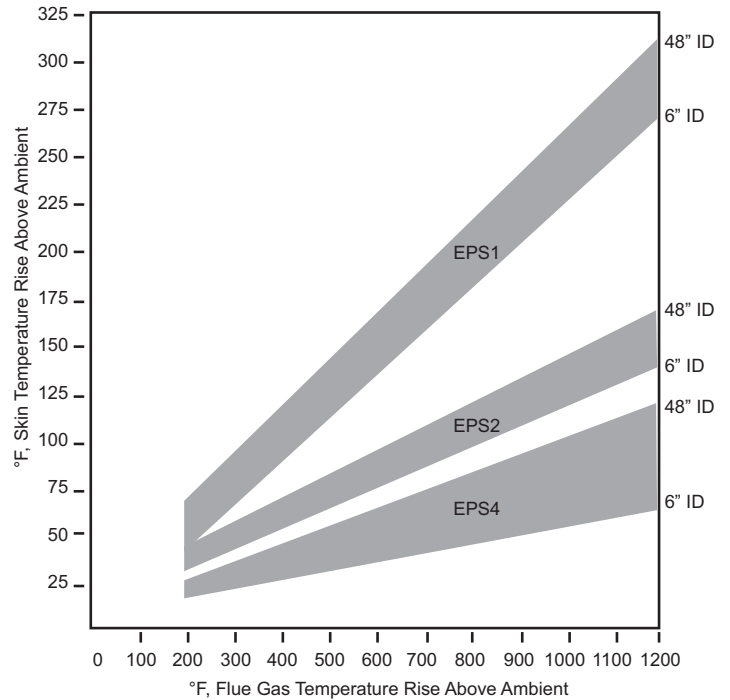
SIZE	EPS 480°F RATING (UNENCL.)		EPS1 550°F RATING (UNENCL.)	
	VERTICAL	HORIZONTAL	VERTICAL	HORIZONTAL
4 (100)	2 (51)	3 (76)	0.5 (13)	1 (25)
6 (150)	2 (51)	3 (76)	0.5 (13)	1 (25)
8 (200)	2 (51)	3 (76)	0.5 (13)	1 (25)
10 (250)	3 (76)	3 (76)	0.5 (13)	1 (25)
12 (300)	3 (76)	3 (76)	0.5 (13)	1 (25)
14 (350)	3 (76)	3 (76)	0.5 (13)	1 (25)
16 (400)	4 (102)	4 (102)	1 (25)	1 (25)
18 (450)	5 (127)	5 (127)	1 (25)	1 (25)
20 (500)	5 (127)	5 (127)	1 (25)	1 (25)
22 (550)	5 (127)	5 (127)	1 (25)	1 (25)
24 (600)	5 (127)	5 (127)	1 (25)	1 (25)
26 (650)	6 (152)	6 (152)	1 (25)	1 (25)
28 (700)	6 (152)	6 (152)	1 (25)	1 (25)
30 (750)	6 (152)	6 (152)	1 (25)	1 (25)
32 (800)	7 (178)	7 (178)	1 (25)	1 (25)
34 (850)	7 (178)	7 (178)	1 (25)	1 (25)
36 (900)	8 (203)	8 (203)	1 (25)	1 (25)
38 (950)	8 (203)	8 (203)	1 (25)	1 (25)
40 (1000)	8 (203)	8 (203)	1 (25)	1 (25)
44 (1100)	9 (229)	9 (229)	1 (25)	1 (25)
48 (1200)	10 (254)	10 (254)	1 (25)	1 (25)

CLEARANCES FOR GREASE DUCTS FOR RESTAURANT COOKING APPLIANCES

CASING TEMPERATURE CHART

(Approximate Temperatures)

SIZE	CLEARANCE (UNENCLOSED)			
	EPS	EPS1	EPS2	EPS4
4 (100)	18 (457)	4 (102)	2 (51)	0 (0)
6 (150)	18 (457)	4 (102)	2 (51)	0 (0)
8 (200)	18 (457)	4 (102)	2 (51)	0 (0)
10 (250)	18 (457)	5 (127)	3 (76)	0 (0)
12 (300)	18 (457)	5 (127)	3 (76)	0 (0)
14 (350)	18 (457)	5 (127)	3 (76)	0 (0)
16 (400)	18 (457)	5 (127)	3 (76)	1 (25)
18 (450)	18 (457)	5 (127)	3 (76)	1 (25)
20 (500)	18 (457)	5 (127)	3 (76)	1 (25)
22 (550)	18 (457)	5 (127)	3 (76)	1 (25)
24 (600)	18 (457)	5 (127)	3 (76)	1 (25)
26 (650)	18 (457)	6 (152)	4 (102)	1 (25)
28 (700)	18 (457)	6 (152)	4 (102)	1 (25)
30 (750)	18 (457)	6 (152)	4 (102)	1 (25)
32 (800)	18 (457)	6 (152)	4 (102)	1 (25)
34 (850)	18 (457)	6 (152)	4 (102)	1 (25)
36 (900)	18 (457)	6 (152)	4 (102)	1 (25)
38 (950)	18 (457)	6 (152)	4 (102)	1 (25)
40 (1000)	18 (457)	6 (152)	4 (102)	1 (25)
44 (1100)	18 (457)	7 (178)	5 (127)	2 (51)
48 (1200)	18 (457)	7 (178)	5 (127)	2 (51)



JOINT ASSEMBLY PARTS

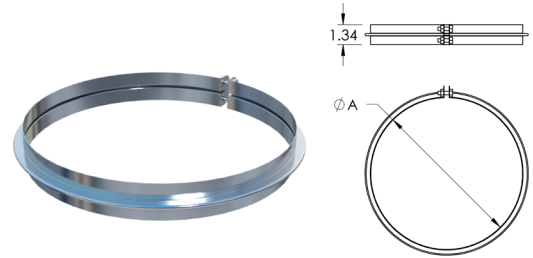
U-BAND (UB)

Used to connect and secure two chimney sections or components.
Use in conjunction with a graphite gasket.

Provided as standard with chimney components up to 24" diameter.
Optional for larger diameters.

Ordered parts includes:

- 1 U-band
- 1 hardware



CHANNEL BAND (CB)

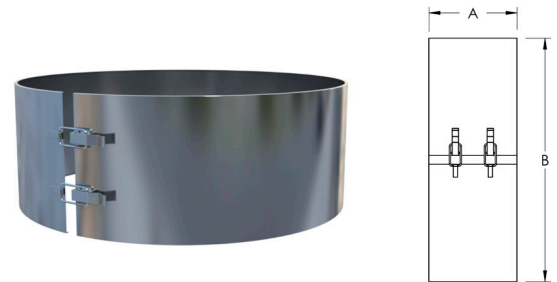
Used to close the gap at every joint and conceal the U-band (UB).
Secured by two snaps locks.

Provided as standard with each double wall chimney part.

Ordered parts includes:

- 1 Channel Band with two snap locks

	EPS1	EPS2	EPS4
Installed Length - A	4.53 (115)	7.95 (202)	7.95 (202)



HALF CHANNEL BAND (HCB)

Used to close the gap where the U-band (UB) secured flanges are
providing support, or the component flange is connected to the
appliance. Secured by one snap lock.

Ordered parts includes:

- 1 Half Channel Band

	EPS1	EPS2	EPS4
Installed Length - A	1.93 (49)	2.95 (75)	2.95 (75)



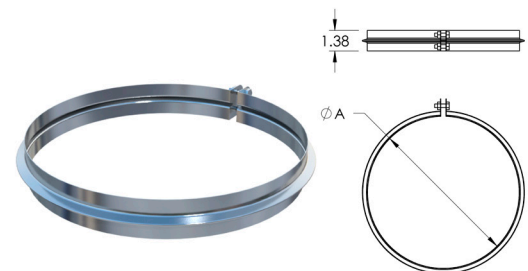
V-BAND (VB)

Used to connect and secure two chimney sections or components.
Used in conjunction with a Hi-Temp Sealant or a Graphite Gasket.

Provided as standard with chimney components 26" diameter and
up.

Ordered parts includes:

- 1 V-band
- 1 hardware



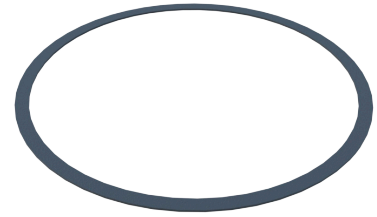
GRAPHITE GASKET (GG)

Used to seal the inner joint between two chimney sections or components..

Provided as standard attached to the male flange section of a chimney component up to 24" diameter. Optional for 26" diameter and up.

Ordered parts includes:

Graphite Gasket



HIGH TEMPERATURE SILICONE (HTS)

Use with some components indicated by a cartridge icon next to the product. Brand: Vitkas - rated for 2370°F (1300°C)

Ordered parts includes:

Cartridge with sealant



WEATHERING SEALANT (WS)

Used to seal Channel Bands (CB) and Half Channel Bands (HCB) when double wall chimney is installed outdoors.

Ordered parts includes:

Cartridge with sealant



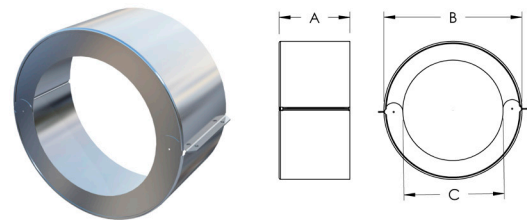
CLOSURE BAND (CLB)

Used as an end cover, when transitioning from one insulation thickness to another or to a single wall.

Ordered parts includes:

- 1 Casing
- 1 hardware
- 1 insulation

	EPS	EPS1	EPS2	EPS4
Installed Length - A	15.75 (400)	15.75 (400)	19.13 (486)	19.13 (486)
Outside Diameter - B	OD of largest pipe			
Inside Diameter - C	OD of smallest pipe			



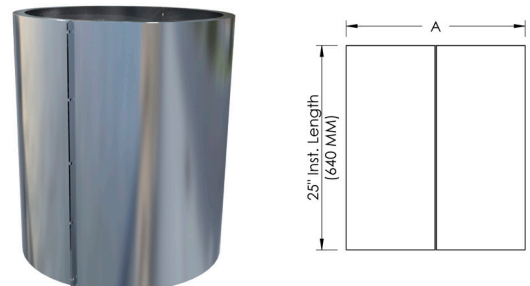
COVER JACKET (CJ)

A two-piece jacket user to cover open gaps in the outer casing.

Ordered parts includes:

- 1 two-piece cover jacket
- 1 hardware
- 1 insulation

	EPS	EPS1	EPS2	EPS4
Dimensions	Specify when ordering			



STRAIGHT LENGTHS

STRAIGHT LENGTHS (SL6, SL10, SL20, SL30, SL40)

Standard lengths for all EPS exhaust systems from 4" to 48".

NOTE: Custom lengths available, contact ENERVEX.

Flow Resistance:

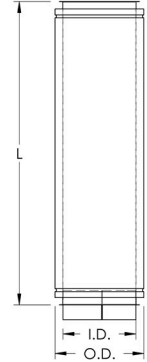
K-values (where L = pipe length in feet and D = pipe diameter in inches):

Boiler Stacks and Chimneys K = 0.30 L/D

For Diesel and Turbine Exhaust and Grease Duct K = 0.25 L/D

Ordered parts includes:

- | | |
|----------------|-------------------------------|
| 1 pipe section | For double wall chimney also: |
| 1 U-band (UB) | 1 Channel Band (CB) |
| 1 hardware | 1 insulation |



NOM. LENGTH	INSTALLED LENGTH 4"-24"	INSTALLED LENGTH 26"-48"
6 (150)	5.91 (150)	5.91 (150)
10 (250)	9.65 (245)	9.84 (250)
20 (500)	20.08 (510)	19.69 (500)
30 (750)	30.51 (775)	29.53 (750)
40 (1000)	40.94 (1040)	39.37 (1000)

NOTE: Any length can be custom fitted with a 1" (25mm) N.P.T. nipple to serve as a port for chimney probe for the XTP sensor, test port or nozzle section. Add "T" to the item number.

SIZE	ACTUAL PIPE ID	PIPE OD		
		EPS1	EPS2	EPS4
4 (100)	3.9 (100)	5.9 (150)	7.9 (200)	11.8 (300)
6 (150)	5.9 (150)	7.9 (200)	9.8 (250)	13.8 (350)
8 (200)	7.9 (200)	9.8 (250)	11.8 (300)	15.7 (400)
10 (250)	9.8 (250)	11.8 (300)	13.8 (350)	17.7 (450)
12 (300)	11.8 (300)	13.8 (350)	15.7 (400)	19.7 (500)
14 (350)	13.8 (350)	15.7 (400)	17.7 (450)	21.7 (550)
16 (400)	15.7 (400)	17.7 (450)	19.7 (500)	23.6 (600)
18 (450)	17.7 (450)	19.7 (500)	21.7 (550)	25.6 (650)
20 (500)	19.7 (500)	21.7 (550)	23.6 (600)	27.6 (700)
22 (550)	21.7 (550)	23.6 (600)	25.6 (650)	29.5 (750)
24 (600)	23.6 (600)	25.6 (650)	27.6 (700)	31.5 (800)

SIZE	ACTUAL PIPE ID	PIPE OD		
		EPS1	EPS2	EPS4
26 (650)	25.6 (650)	27.6 (700)	29.5 (750)	33.5 (850)
28 (700)	27.6 (700)	29.5 (750)	31.5 (800)	35.4 (900)
30 (750)	29.5 (750)	31.5 (800)	33.5 (850)	37.4 (950)
32 (800)	31.5 (800)	33.5 (850)	35.4 (900)	39.4 (1000)
34 (850)	33.5 (850)	35.4 (900)	37.4 (950)	41.3 (1050)
36 (900)	35.4 (900)	37.4 (950)	39.4 (1000)	43.3 (1100)
38 (950)	37.4 (950)	39.4 (1000)	41.3 (1050)	45.3 (1150)
40 (1000)	39.4 (1000)	41.3 (1050)	43.3 (1100)	49.2 (1200)
44 (1100)	43.3 (1100)	45.3 (1150)	47.2 (1200)	51.2 (1300)
48 (1200)	47.2 (1200)	49.2 (1250)	51.2 (1300)	55.1 (1400)

ADJUSTABLE LENGTH (AL20, AL30)

Field adjustable to fill gaps between standard lengths and to compensate for expansion between two fixed points for applications not to exceed 1400°F (760°C) and 60"WC (14945 Pa) of pressure. Is suitable for use in generator and engine exhaust systems.

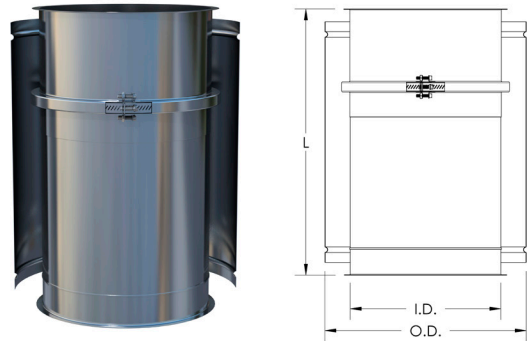
Available in a short (20") and a long version (30").

Flow Resistance:

Same as for straight lengths

Ordered parts includes:

- | | |
|----------------|-------------------------------|
| 1 pipe section | For double wall chimney also: |
| 1 U-band (UB) | 1 two-piece Cover Jacket (CJ) |
| 1 hardware | 1 insulation |



SIZE	ADJUSTABLE LENGTH			
	AL20		AL30	
	MIN	MAX	MIN	MAX
4 (100)	5.9 (150)	25.59 (650)	5.9 (150)	37.80 (960)
6 (150)	5.9 (150)	24.61 (625)	5.9 (150)	36.81 (935)
8 (200)	5.9 (150)	23.62 (600)	5.9 (150)	35.83 (910)
10 (250)	5.9 (150)	22.64 (575)	5.9 (150)	34.84 (885)
12 (300)	5.9 (150)	21.65 (550)	5.9 (150)	33.86 (860)
14 (350)	5.9 (150)	20.67 (525)	5.9 (150)	32.87 (835)
16 (400)	5.9 (150)	19.69 (500)	5.9 (150)	31.89 (810)
18 (450)	5.9 (150)	18.70 (475)	5.9 (150)	30.91 (785)
20 (500)	5.9 (150)	17.72 (450)	5.9 (150)	29.92 (760)
22 (550)	5.9 (150)	16.73 (425)	5.9 (150)	28.94 (735)
24 (600)	5.9 (150)	15.75 (400)	5.9 (150)	27.95 (710)

SIZE	ADJUSTABLE LENGTH			
	AL20		AL30	
	MIN	MAX	MIN	MAX
26 (650)	*	*	5.9 (150)	26.97 (685)
28 (700)	*	*	5.9 (150)	25.98 (660)
30 (750)	*	*	5.9 (150)	25.00 (635)
32 (800)	*	*	5.9 (150)	24.02 (610)
34 (850)	*	*	5.9 (150)	23.03 (585)
36 (900)	*	*	5.9 (150)	22.05 (560)
38 (950)	*	*	5.9 (150)	21.06 (535)
40 (1000)	*	*	5.9 (150)	20.08 (510)
44 (1100)	*	*	5.9 (150)	18.11 (460)
48 (1200)	*	*	5.9 (150)	16.14 (410)

* Not available

LINED BELLOW JOINT (BJ)

Recommended for Diesel Engines / Turbine exhaust. Provides a pressure tight expansion joint for engine exhaust and other high pressure applications. May be used in place of the Adjustable Length (AL) to compensate for linear thermal expansion in the chimney system.

Flow Resistance:

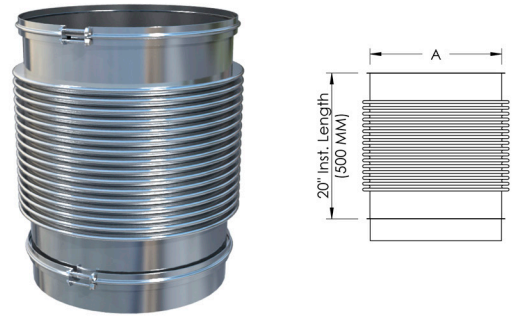
Same as for straight lengths

Ordered parts includes:

1 bellow joint
 1 U-band (UB)
 1 hardware

For double wall chimney also:
 1 two-piece Cover Jacket (CJ)
 1 insulation

NOM. LENGTH	INSTALLED LENGTH 4"-24"	INSTALLED LENGTH 26"-48"
20 (500)	19.69 (500)	19.69 (500)



NOTE: Maximum compressive travel is 3" (76mm)

INLINE ACCESS DOOR (IAD)

Used to facilitate inspections and cleaning primarily in grease applications. Can be installed horizontally and vertically. When installed in horizontal sections, the opening must be above the centerline of the duct.

Flow Resistance:

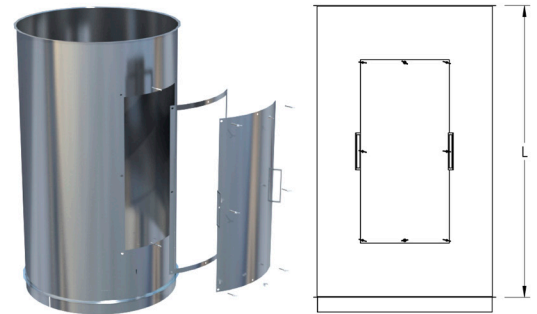
Same as for straight lengths

Ordered parts includes:

1 pipe section
 1 U-band (UB)
 1 hardware

For double wall chimney also:
 1 Channel Band (CB)
 1 insulation

NOM. LENGTH	INSTALLED LENGTH 4"-24"	INSTALLED LENGTH 26"-48"
20 (500)	19.69 (500)	19.69 (500)



DRAIN SECTION (DS)

Used with open stack terminations and for condensing applications to drain rain water or condensate from inside vertical or horizontal flue. Can also be used to drain off grease / residues inside grease ducts.

Fitted with a 1" (25mm) N.P.T. nipple.

Flow Resistance:

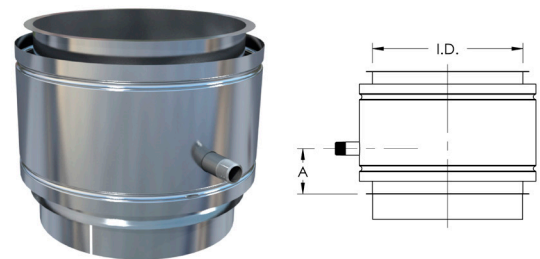
K-value = 0.25

Ordered parts includes:

1 pipe section
 1 U-band (UB)
 1 hardware

For double wall chimney also:
 1 Channel Band (CB)
 1 insulation

	EPS	EPS1	EPS2	EPS4
Installed Length - A	11.81 (300)	11.81 (300)	15.20 (386)	15.20 (386)



TAPERED INCREASER / REDUCER (TI / TR)

Used when a pipe diameter change is required. A tapered increaser/reducer minimizes flow resistance over a step version.

Flow Resistance:

$K = N (1 - (A / B)^2)^2$, where

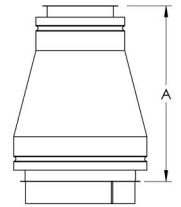
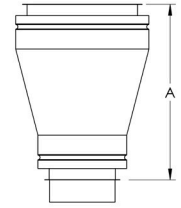
A = starting diameter, B = ending diameter, N = 0.47

Ordered parts includes:

When ordering, specify starting diameter first.

- | | |
|--------------------------------|-------------------------------|
| 1 pipe section | For double wall chimney also: |
| 1 U-band (UB) | 1 two-piece Cover Jacket (CJ) |
| 1 hardware | 1 insulation |
| 1 collar for starting diameter | |

	INSTALLED LENGTH - A			
	EPS	EPS1	EPS2	EPS4
1 Step	11.81 (300)		15.20 (386)	
2 Step	15.75 (400)		19.13 (486)	
3 Step	15.75 (400)		21.85 (550)	
4 Step	17.72 (450)		21.65 (550)	
5 Step	21.65 (550)		21.85 (550)	



ECCENTRIC TAPERED INCREASER (ETI / ETR)

Used to ease condensate and grease run off in horizontal installations when a pipe diameter change is required.

Flow Resistance:

$K = N (1 - (A / B)^2)^2$, where

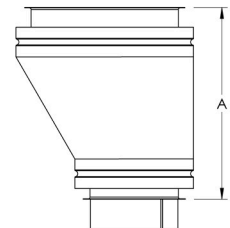
A = starting diameter, B = ending diameter, N = 0.53

Ordered parts includes:

When ordering, specify upstream diameter first.

- | | |
|--------------------------------|-------------------------------|
| 1 pipe section | For double wall chimney also: |
| 1 U-band (UB) | 1 two-piece Cover Jacket (CJ) |
| 1 hardware | 1 insulation |
| 1 collar for starting diameter | |

	INSTALLED LENGTH - A			
	EPS	EPS1	EPS2	EPS4
1 Step	11.81 (300)		15.20 (386)	
2 Step	15.75 (400)		19.13 (486)	
3 Step	15.75 (400)		21.85 (550)	
4 Step	17.72 (450)		21.65 (550)	
5 Step	21.65 (550)		21.85 (550)	



STEP INCREASER / REDUCER (SI / SR)

Used when pipe diameter change is required in a tight space.

Flow Resistance:

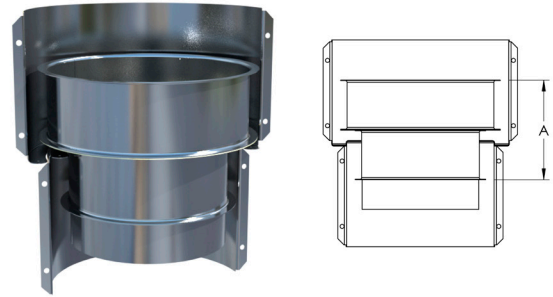
$K = N (1 - (A / B)^2)^2$, where

A = starting diameter, B = ending diameter, N = 0.53

Ordered parts includes:

When ordering, specify upstream diameter first.

- | | |
|--------------------------------|-------------------------------|
| 1 pipe | For double wall chimney also: |
| 1 U-band (UB) | 1 two-piece Cover Jacket (CJ) |
| 1 hardware | 1 insulation |
| 1 collar for starting diameter | |



	INSTALLED LENGTH - A			
	EPS	EPS1	EPS2	EPS4
All Steps	15.75 (400)		19.13 (486)	

ECCENTRIC STEP INCREASER / REDUCER (ESI / ESR)

Used to ease condensate and grease run off when a pipe diameter change is required. Used in a tight space.

Flow Resistance:

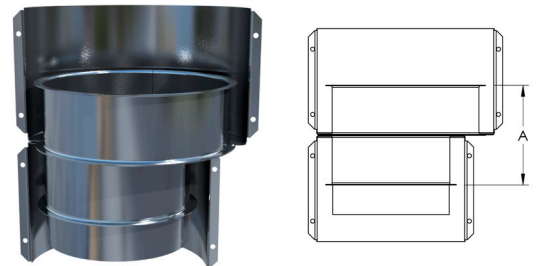
$K = N (1 - (A / B)^2)^2$, where

A = starting diameter, B = ending diameter, N = 0.53

Ordered parts includes:

When ordering, specify upstream diameter first.

- | | |
|--------------------------------|-------------------------------|
| 1 pipe | For double wall chimney also: |
| 1 U-band (UB) | 1 two-piece Cover Jacket (CJ) |
| 1 hardware | 1 insulation |
| 1 collar for starting diameter | |



	INSTALLED LENGTH - A			
	EPS	EPS1	EPS2	EPS4
All Steps	15.75 (400)	15.75 (400)	19.13 (486)	19.13 (486)

FITTINGS

90° AND 87° TEE (T90, T87)

Designed to provide a connection, a change of direction and cleaning access, if required.

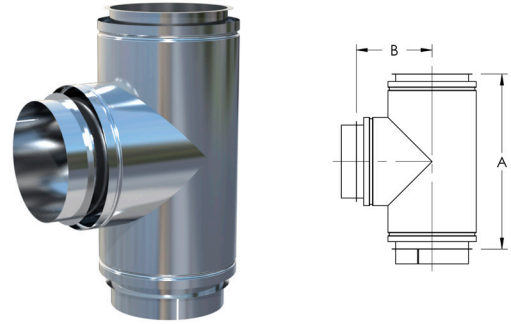
The 87° Tee can be used to offer a 3° slope to allow back flow of condensation through the system.

Flow Resistance:

K = 1.25

Ordered parts includes:

- | | |
|---------------|-------------------------------|
| 1 Tee | For double wall chimney also: |
| 1 U-band (UB) | 1 Channel Band (CB) |
| 1 hardware | 1 insulation |



NOTE: Any size can be custom fitted with a 1" (26mm) N.P.T. nipple to serve as a port for chimney probe for the XTP sensor, test port or nozzle section. Add "T" to the item number.

SIZE	EPS / EPS1		EPS2 / EPS4	
	A	B	A	B
4 (100)	19.69 (500)	6.30 (160)	23.70 (602)	11.85 (301)
6 (150)	19.69 (500)	7.28 (185)	25.67 (652)	12.83 (326)
8 (200)	19.69 (500)	8.27 (210)	27.64 (702)	13.39 (340)
10 (250)	19.69 (500)	9.25 (235)	29.61 (752)	13.82 (351)
12 (300)	23.62 (600)	10.24 (260)	31.57 (802)	14.80 (376)
14 (350)	23.62 (600)	11.22 (285)	33.54 (852)	15.79 (401)
16 (400)	27.56 (700)	12.20 (310)	35.51 (902)	16.77 (426)
18 (450)	27.56 (700)	13.19 (335)	37.48 (952)	17.76 (451)
20 (500)	29.53 (750)	14.17 (360)	39.45 (1002)	18.74 (476)
22 (550)	29.53 (750)	15.16 (385)	41.42 (1052)	19.72 (501)
24 (600)	32.48 (825)	16.14 (410)	43.39 (1102)	20.71 (526)

SIZE	EPS / EPS1		EPS2 / EPS4	
	A	B	A	B
26 (650)	32.48 (825)	17.13 (435)	45.35 (1152)	22.68 (576)
28 (700)	39.37 (1000)	18.11 (460)	47.32 (1202)	23.66 (601)
30 (750)	40.35 (1025)	19.09 (485)	49.29 (1252)	24.65 (626)
32 (800)	41.34 (1050)	20.08 (510)	51.26 (1302)	26.02 (651)
34 (850)	43.31 (1100)	21.06 (535)	53.23 (1352)	26.61 (676)
36 (900)	45.28 (1150)	22.05 (560)	55.20 (1402)	27.60 (701)
38 (950)	47.24 (1200)	23.03 (585)	57.17 (1452)	28.58 (726)
40 (1000)	49.21 (1250)	24.02 (610)	59.13 (1502)	29.57 (751)
44 (1100)	53.15 (1350)	26.77 (680)	63.07 (1602)	31.54 (801)
48 (1200)	59.06 (1500)	27.95 (710)	67.01 (1702)	33.50 (851)

45° LATERAL TEE (T45)

Used at the base of a vertical chimney, or for horizontal header configurations where a smooth transition is required. Can also be used as an inspection / cleaning point when used with a Tee Cap (TC) or as a drainage component when used with the Drain Tee Cap (DTC).

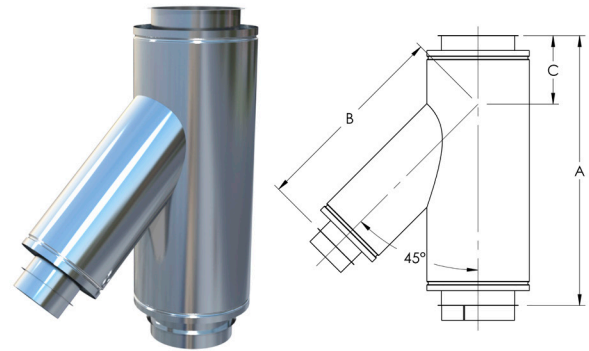
The snout is available in most standard diameters equal to or less than the body diameter. Dimension "B" will not change when changing snout diameter.

Flow Resistance:

$K = 0.4$

Ordered parts includes:

1 lateral Tee	For double wall chimney also:
1 U-band (UB)	1 Channel Band (CB)
1 hardware	1 insulation



NOTE: Any size can be custom fitted with a 1" (26mm) N.P.T. nipple to serve as a port for chimney probe for the XTP sensor, test port or nozzle section. Add "T" to the item number.

SIZE	EPS / EPS1			EPS2 / EPS4		
	A	B	C	A	B	C
4 (100)	16.3 (415)	11.2 (285)	5.1 (130)	28.1 (713)	20.1 (510)	8.0 (203)
6 (150)	19.7 (500)	12.9 (328)	6.8 (172)	30.9 (784)	22.4 (570)	8.4 (214)
8 (200)	23.6 (600)	15.3 (388)	8.3 (212)	33.7 (855)	24.8 (630)	8.9 (225)
10 (250)	23.6 (600)	17.7 (449)	5.9 (151)	36.4 (925)	27.2 (690)	9.3 (235)
12 (300)	27.6 (700)	20.0 (509)	7.6 (191)	39.2 (996)	29.5 (750)	9.7 (246)
14 (350)	29.5 (750)	22.4 (570)	7.1 (180)	42.0 (1066)	31.9 (810)	10.1 (256)
16 (400)	32.5 (825)	24.8 (630)	7.7 (195)	44.8 (1137)	34.3 (870)	10.5 (267)
18 (450)	35.4 (900)	27.2 (690)	8.3 (210)	47.6 (1208)	36.6 (930)	10.9 (278)
20 (500)	37.4 (950)	29.6 (751)	7.8 (199)	50.4 (1279)	39.0 (990)	11.4 (289)
22 (550)	40.4 (1025)	31.9 (811)	8.4 (214)	53.1 (1350)	41.3 (1050)	11.8 (300)
24 (600)	43.3 (1100)	34.3 (871)	8.7 (221)	55.9 (1420)	43.7 (1110)	12.2 (310)

SIZE	EPS1 / EPS1			EPS 2 / EPS4		
	A	B	C	A	B	C
26 (650)	46.26 (1175)	36.65 (931)	9.61 (244)	58.70 (1491)	46.26 (1175)	12.44 (316)
28 (700)	49.21 (1250)	39.02 (991)	10.16 (258)	61.50 (1562)	48.62 (1235)	12.87 (327)
30 (750)	52.17 (1325)	41.38 (1051)	10.79 (274)	64.25 (1632)	50.98 (1295)	13.27 (337)
32 (800)	55.12 (1400)	43.74 (1111)	11.30 (287)	67.05 (1703)	53.35 (1355)	13.70 (348)
34 (850)	58.07 (1475)	46.10 (1171)	11.97 (304)	69.84 (1774)	55.71 (1415)	14.13 (359)
36 (900)	61.02 (1550)	48.64 (1231)	14.50 (292)	72.64 (1845)	58.07 (1475)	14.57 (370)
38 (950)	63.98 (1625)	50.83 (1291)	12.17 (309)	75.39 (1915)	60.43 (1535)	14.96 (380)
40 (1000)	65.94 (1675)	53.19 (1351)	12.64 (321)	78.19 (1986)	62.80 (1595)	15.39 (391)
44 (1100)	70.87 (1800)	57.91 (1471)	12.80 (325)	83.78 (2128)	67.52 (1715)	16.26 (413)
48 (1200)	76.77 (1950)	62.64 (1591)	13.94 (354)	89.33 (2269)	72.24 (1835)	17.09 (434)

90° WYE (Y90)

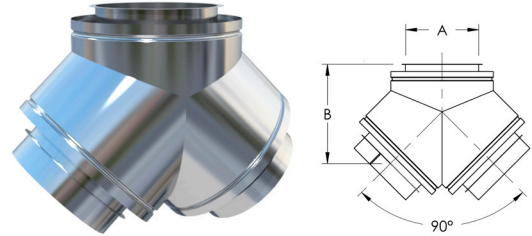
Provides a low pressure drop for joining appliances in the horizontal or vertical position.

Flow Resistance:

$K = 0.6$

Ordered parts includes:

1 Wye	For double wall chimney also:
1 U-band (UB)	1 Channel Band (CB)
1 hardware	1 insulation



SIZE	EPS / EPS1		EPS2 / EPS4	
	A	B	A	B
4 (100)	5.20 (132)	6.93 (176)	*	*
6 (150)	5.59 (142)	7.91 (201)	*	*
8 (200)	5.98 (152)	8.90 (226)	*	*
10 (250)	6.42 (163)	9.88 (251)	*	*
12 (300)	6.81 (173)	10.87 (276)	*	*
14 (350)	7.20 (183)	11.85 (301)	*	*
16 (400)	7.64 (194)	12.83 (326)	*	*
18 (450)	8.03 (204)	13.82 (351)	*	*
20 (500)	8.43 (214)	14.80 (376)	*	*
22 (550)	8.82 (224)	15.79 (401)	*	*
24 (600)	9.25 (235)	16.77 (426)	*	*

SIZE	EPS / EPS1		EPS2 / EPS4	
	A	B	A	B
26 (650)	9.65 (245)	17.76 (451)	*	*
28 (700)	10.04 (255)	18.74 (476)	*	*
30 (750)	10.43 (265)	19.72 (501)	*	*
32 (800)	10.83 (275)	20.71 (526)	*	*
34 (850)	11.22 (285)	21.69 (551)	*	*
36 (900)	11.61 (295)	22.68 (576)	*	*
38 (950)	12.01 (305)	23.66 (601)	*	*
40 (1000)	12.40 (315)	24.65 (626)	*	*
44 (1100)	18.19 (335)	26.61 (676)	*	*
48 (1200)	13.98 (355)	28.58 (726)	*	*

* Not available

90° AND 87° ELBOW (L90, L87)

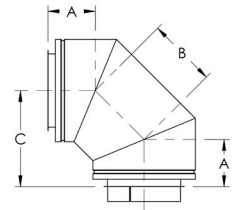
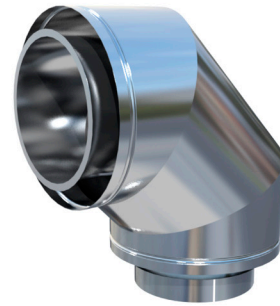
Designed to provide a 90° or 87° horizontal or vertical change of direction. The 87° elbow is typically used in condensing applications, to create a 3° slope.

Flow Resistance:

$K = 0.3$

Ordered parts includes:

1 elbow	For double wall chimney also:
1 U-band (UB)	1 Channel Band (CB)
1 hardware	1 insulation



SIZE	EPS / EPS1			EPS2 / EPS4		
	A	B	C	A	B	C
4 (100)	5.20 (132)	4.45 (113)	8.35 (212)	8.11 (206)	6.89 (175)	12.99 (330)
6 (150)	5.59 (142)	5.28 (134)	9.29 (236)	8.50 (216)	7.72 (196)	13.98 (355)
8 (200)	5.98 (152)	6.06 (154)	10.28 (261)	8.90 (226)	8.54 (217)	14.96 (380)
10 (250)	6.42 (163)	6.89 (175)	11.38 (289)	9.33 (237)	9.33 (237)	15.94 (405)
12 (300)	6.81 (173)	7.72 (196)	12.24 (311)	9.72 (247)	10.16 (258)	16.93 (430)
14 (350)	7.32 (183)	8.54 (217)	13.23 (336)	10.12 (257)	10.98 (279)	17.87 (454)
16 (400)	7.64 (194)	9.33 (237)	14.21 (361)	10.55 (268)	11.77 (299)	18.90 (480)
18 (450)	8.03 (204)	10.16 (258)	15.20 (386)	10.94 (278)	11.89 (302)	19.84 (504)
20 (500)	8.43 (214)	10.98 (279)	16.18 (411)	11.34 (288)	13.43 (341)	20.83 (529)
22 (550)	8.86 (225)	11.77 (299)	17.17 (436)	11.77 (299)	14.25 (362)	21.85 (555)
24 (600)	9.25 (235)	12.60 (320)	18.15 (461)	12.17 (309)	15.05 (382)	22.80 (579)

SIZE	EPS / EPS1			EPS2 / EPS4		
	A	B	C	A	B	C
26 (650)	9.69 (245)	13.43 (341)	19.13 (486)	12.56 (319)	15.87 (403)	23.78 (604)
28 (700)	10.08 (256)	14.21 (361)	20.12 (511)	12.99 (330)	16.69 (424)	24.80 (630)
30 (750)	10.47 (266)	15.04 (382)	21.10 (536)	13.39 (340)	17.52 (445)	27.79 (655)
32 (800)	10.87 (276)	15.87 (403)	22.09 (561)	13.82 (351)	18.31 (465)	26.77 (680)
34 (850)	11.26 (286)	16.69 (424)	23.07 (586)	14.21 (361)	19.13 (486)	27.76 (705)
36 (900)	11.69 (297)	17.48 (444)	24.06 (611)	14.61 (371)	19.96 (507)	28.74 (730)
38 (950)	12.09 (307)	18.31 (465)	25.04 (636)	15.04 (382)	20.75 (527)	29.72 (755)
40 (1000)	12.52 (318)	19.13 (486)	26.02 (661)	15.43 (392)	21.57 (548)	30.71 (780)
44 (1100)	13.35 (339)	20.75 (527)	27.99 (711)	16.26 (413)	23.23 (590)	32.68 (830)
48 (1200)	14.13 (359)	22.40 (569)	29.96 (761)	17.05 (433)	24.82 (631)	34.61 (879)

45° ELBOW (L45)

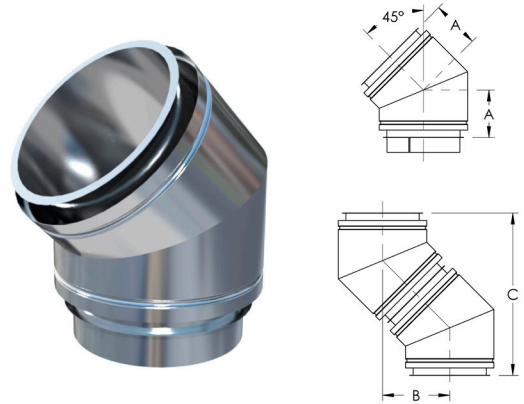
Designed to provide a 45° horizontal or vertical change of direction.
Can be used to create a 45° offset by using two fittings.

Flow Resistance:

$K = 0.15$

Ordered parts includes:

1 elbow	For double wall chimney also:
1 U-band (UB)	1 Channel Band (CB)
1 hardware	1 insulation



SIZE	EPS / EPS1			EPS2 / EPS4			SIZE	EPS / EPS1			EPS2 / EPS4		
	A	B	C	A	B	C		A	B	C	A	B	C
4 (100)	5.20 (132)	7.36 (187)	17.76 (451)	8.11 (206)	11.46 (291)	26.64 (702)	26 (650)	9.69 (246)	13.70 (348)	33.07 (840)	12.56 (319)	17.80 (452)	42.92 (1091)
6 (150)	5.59 (142)	7.91 (201)	19.09 (485)	8.50 (216)	12.01 (305)	29.02 (737)	28 (700)	10.08 (256)	14.25 (362)	34.37 (873)	12.99 (330)	18.35 (466)	44.33 (1126)
8 (200)	5.98 (152)	8.46 (215)	20.43 (519)	8.90 (226)	12.60 (320)	30.39 (772)	30 (750)	10.47 (266)	14.80 (376)	35.74 (908)	13.39 (340)	18.94 (481)	45.71 (1161)
10 (250)	6.42 (163)	9.09 (231)	21.93 (557)	9.33 (237)	13.19 (335)	31.81 (808)	32 (800)	10.91 (277)	15.39 (391)	37.20 (945)	13.82 (351)	19.53 (496)	47.13 (1197)
12 (300)	6.81 (173)	9.65 (245)	23.27 (591)	9.72 (247)	13.74 (349)	33.19 (843)	34 (850)	11.30 (287)	15.98 (406)	38.58 (980)	14.21 (361)	20.08 (510)	48.50 (1232)
14 (350)	7.20 (183)	10.20 (259)	24.61 (625)	10.12 (257)	14.33 (364)	34.60 (879)	36 (900)	11.69 (297)	16.54 (420)	39.96 (1015)	14.61 (371)	20.67 (525)	49.88 (1267)
16 (400)	7.64 (194)	10.79 (274)	26.06 (662)	10.55 (268)	14.92 (379)	35.98 (914)	38 (950)	12.13 (308)	17.17 (436)	41.42 (1052)	15.04 (382)	21.26 (540)	51.30 (1303)
18 (450)	8.03 (204)	11.34 (288)	27.40 (696)	10.94 (278)	15.47 (393)	37.36 (949)	40 (1000)	12.52 (318)	17.72 (450)	42.72 (1085)	15.43 (392)	21.81 (554)	52.68 (1338)
20 (500)	8.43 (214)	11.9 (303)	28.78 (731)	11.34 (288)	16.06 (408)	38.78 (985)	44 (1100)	13.35 (339)	18.86 (479)	45.51 (1156)	16.26 (413)	22.99 (584)	55.47 (1409)
22 (550)	8.86 (225)	12.52 (318)	30.24 (768)	11.77 (299)	16.61 (422)	40.16 (1020)	48 (1200)	14.13 (359)	20.00 (508)	48.31 (1227)	17.05 (433)	24.13 (613)	58.27 (1480)
24 (600)	9.25 (235)	13.07 (332)	31.57 (802)	12.17 (309)	17.20 (437)	41.54 (1055)							

30° ELBOW (L30)

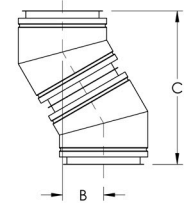
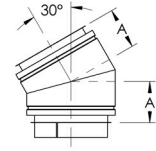
Designed to provide a 30° horizontal or vertical change of direction.
Can be used to create a 30° offset by using two fittings.

Flow Resistance:

$K = 0.15$

Ordered parts includes:

1 elbow	For double wall chimney also:
1 U-band (UB)	1 Channel Band (CB)
1 hardware	1 insulation



SIZE	EPS / EPS1			EPS2 / EPS4			SIZE	EPS / EPS1			EPS2 / EPS4		
	A	B	C	A	B	C		A	B	C	A	B	C
4 (100)	4.72 (120)	4.72 (120)	17.64 (448)	7.20 (183)	7.20 (183)	26.97 (685)	26 (650)	7.64 (194)	7.64 (194)	28.50 (724)	10.12 (257)	10.12 (257)	37.80 (960)
6 (150)	5.00 (127)	5.00 (127)	18.66 (474)	7.48 (190)	7.48 (190)	27.95 (710)	28 (700)	7.91 (201)	7.91 (201)	29.49 (749)	10.39 (264)	10.39 (264)	38.78 (985)
8 (200)	5.28 (134)	5.28 (134)	19.69 (500)	7.76 (197)	7.76 (197)	28.94 (735)	30 (750)	8.19 (208)	8.19 (208)	30.47 (774)	10.67 (271)	10.67 (271)	39.76 (1010)
10 (250)	5.55 (141)	5.55 (141)	20.71 (526)	8.03 (204)	8.03 (204)	29.92 (760)	32 (800)	8.43 (214)	8.43 (214)	31.46 (799)	10.91 (277)	10.91 (277)	40.75 (1035)
12 (300)	5.79 (147)	5.79 (147)	21.61 (549)	8.27 (210)	8.27 (210)	30.91 (785)	34 (850)	8.70 (221)	8.70 (221)	32.44 (824)	11.18 (284)	11.18 (284)	41.73 (1060)
14 (350)	6.06 (154)	6.06 (154)	22.64 (575)	8.54 (217)	8.54 (217)	31.89 (810)	36 (900)	8.98 (228)	8.98 (228)	33.43 (849)	11.46 (291)	11.46 (291)	42.72 (1085)
16 (400)	6.34 (161)	6.34 (161)	23.66 (601)	8.82 (224)	8.82 (224)	32.87 (835)	38 (950)	9.25 (235)	9.25 (235)	34.41 (874)	11.69 (297)	11.69 (297)	43.70 (1110)
18 (450)	5.74 (167)	5.74 (167)	24.53 (623)	9.06 (230)	9.06 (230)	33.86 (860)	40 (1000)	9.49 (241)	9.49 (241)	35.39 (899)	11.97 (304)	11.97 (304)	44.69 (1135)
20 (500)	6.85 (174)	6.85 (174)	25.55 (649)	9.33 (237)	9.33 (237)	34.84 (885)	44 (1100)	10.00 (254)	10.00 (254)	37.36 (949)	12.48 (317)	12.48 (317)	46.65 (1185)
22 (550)	7.13 (181)	7.13 (181)	26.61 (676)	9.61 (244)	9.61 (244)	35.83 (910)	48 (1200)	10.55 (268)	10.55 (268)	39.33 (999)	13.03 (331)	13.03 (331)	48.62 (1235)
24 (600)	7.36 (187)	7.36 (187)	27.48 (698)	9.84 (250)	9.84 (250)	36.81 (935)							

15° ELBOW (L15)

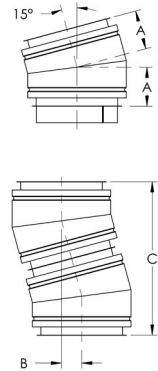
Designed to provide a 15° horizontal or vertical change of direction.
Can be used to create a 15° offset by using two fittings.

Flow Resistance:

K = 0.06

Ordered parts includes:

1 elbow	For double wall chimney also:
1 U-band (UB)	1 Channel Band (CB)
1 hardware	1 insulation



SIZE	EPS / EPS1			EPS2 / EPS4		
	A	B	C	A	B	C
4 (100)	4.33 (110)	2.24 (57)	17.01 (432)	6.42 (163)	3.31 (84)	25.20 (640)
6 (150)	4.45 (113)	2.28 (58)	17.48 (444)	6.54 (166)	3.39 (86)	25.71 (653)
8 (200)	4.61 (117)	2.36 (60)	18.11 (460)	6.65 (169)	3.46 (88)	26.22 (666)
10 (250)	4.72 (120)	2.44 (62)	18.58 (472)	6.81 (173)	3.50 (89)	26.73 (679)
12 (300)	4.84 (123)	2.52 (64)	19.06 (484)	6.93 (176)	3.58 (91)	27.76 (705)
14 (350)	4.96 (126)	2.56 (65)	19.49 (495)	7.05 (179)	3.66 (93)	28.27 (718)
16 (400)	5.12 (130)	2.64 (67)	20.12 (511)	7.20 (183)	3.74 (95)	28.78 (731)
18 (450)	5.24 (133)	2.72 (69)	20.59 (523)	7.32 (186)	3.78 (96)	29.29 (744)
20 (500)	5.35 (136)	2.76 (70)	21.06 (535)	7.44 (189)	3.86 (98)	29.80 (757)
22 (550)	5.51 (140)	2.83 (72)	21.65 (550)	7.60 (193)	3.94 (100)	30.31 (770)
24 (600)	5.63 (143)	2.91 (74)	22.13 (562)	7.72 (196)	3.98 (101)	30.83 (783)

SIZE	EPS / EPS1			EPS2 / EPS4		
	A	B	C	A	B	C
26 (650)	5.75 (146)	2.99 (76)	22.60 (574)	7.83 (199)	4.06 (103)	30.83 (783)
28 (700)	5.91 (150)	3.03 (77)	23.15 (588)	7.95 (202)	4.13 (105)	31.34 (796)
30 (750)	6.02 (153)	3.11 (79)	23.70 (602)	8.11 (206)	4.17 (106)	31.85 (809)
32 (800)	6.14 (156)	3.19 (81)	24.17 (614)	8.23 (209)	4.25 (108)	32.36 (822)
34 (850)	6.26 (159)	3.27 (83)	24.76 (629)	8.35 (212)	4.33 (110)	32.87 (835)
36 (900)	6.42 (163)	3.31 (84)	25.20 (640)	8.50 (216)	4.41 (112)	33.35 (847)
38 (950)	6.54 (166)	3.39 (86)	25.71 (653)	8.62 (219)	4.45 (113)	33.86 (860)
40 (1000)	6.65 (169)	3.46 (88)	26.18 (665)	8.74 (222)	4.53 (115)	34.37 (873)
44 (1100)	9.93 (176)	3.58 (91)	27.20 (691)	9.02 (229)	4.65 (118)	35.39 (899)
48 (1200)	7.17 (182)	3.70 (94)	28.23 (717)	9.25 (235)	4.80 (122)	36.42 (925)

3° ELBOW (L3)

Designed to provide a 3° horizontal change of direction or a 3° slope in condensing applications.

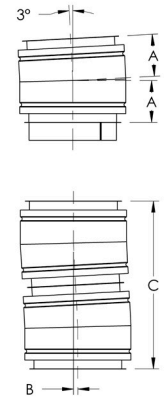
NOTE: Available with integrated drain making it suitable for installation in long horizontal runs where can provide sectional drainage without increasing overall slope. Add "T" to the item number.

Flow Resistance:

K = 0.01

Ordered parts includes:

- | | |
|---------------|-------------------------------|
| 1 elbow | For double wall chimney also: |
| 1 U-band (UB) | 1 Channel Band (CB) |
| 1 hardware | 1 insulation |



SIZE	EPS / EPS1			EPS2 / EPS4		
	A	B	C	A	B	C
4 (100)	4.72 (120)	4.72 (120)	17.64 (448)	7.20 (183)	7.20 (183)	26.97 (685)
6 (150)	5.00 (127)	5.00 (127)	18.66 (474)	7.48 (190)	7.48 (190)	27.95 (710)
8 (200)	5.28 (134)	5.28 (134)	19.69 (500)	7.76 (197)	7.76 (197)	28.94 (735)
10 (250)	5.55 (141)	5.55 (141)	20.71 (526)	8.03 (204)	8.03 (204)	29.92 (760)
12 (300)	5.79 (147)	5.79 (147)	21.61 (549)	8.27 (210)	8.27 (210)	30.91 (785)
14 (350)	6.06 (154)	6.06 (154)	22.64 (575)	8.54 (217)	8.54 (217)	31.89 (810)
16 (400)	6.34 (161)	6.34 (161)	23.66 (601)	8.82 (224)	8.82 (224)	32.87 (835)
18 (450)	5.74 (167)	5.74 (167)	24.53 (623)	9.06 (230)	9.06 (230)	33.86 (860)
20 (500)	6.85 (174)	6.85 (174)	25.55 (649)	9.33 (237)	9.33 (237)	34.84 (885)
22 (550)	7.13 (181)	7.13 (181)	26.61 (676)	9.61 (244)	9.61 (244)	35.83 (910)
24 (600)	7.36 (187)	7.36 (187)	27.48 (698)	9.84 (250)	9.84 (250)	36.81 (935)

SIZE	EPS / EPS1			EPS2 / EPS4		
	A	B	C	A	B	C
26 (650)	7.64 (194)	7.64 (194)	28.50 (724)	*	*	*
28 (700)	7.91 (201)	7.91 (201)	29.49 (749)	*	*	*
30 (750)	8.19 (208)	8.19 (208)	30.47 (774)	*	*	*
32 (800)	8.43 (214)	8.43 (214)	31.46 (799)	*	*	*
34 (850)	8.70 (221)	8.70 (221)	32.44 (824)	*	*	*
36 (900)	8.98 (228)	8.98 (228)	33.43 (849)	*	*	*
38 (950)	9.25 (235)	9.25 (235)	34.41 (874)	*	*	*
40 (1000)	9.49 (241)	9.49 (241)	35.39 (899)	*	*	*
44 (1100)	10.00 (254)	10.00 (254)	37.36 (949)	*	*	*
48 (1200)	10.55 (268)	10.55 (268)	39.33 (999)	*	*	*

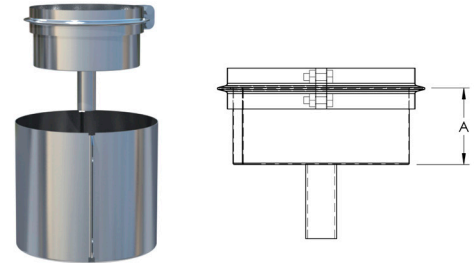
* Not available

DRAIN TEE CAP (DTC)

Provides a drain at the base of a vertical chimney when connected to a 90° Tee (T90) or 45° Lateral Tee (T45). Includes a 1" N.P.T. (4"-24") or 2" N.P.T. (26"-48") Nipple.

Ordered parts includes:

1 drain tee cap	For double wall chimney also:
1 U-band (UB)	1 Channel Band (CB)
1 hardware	1 insulation



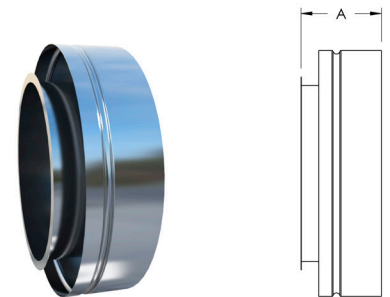
	EPS	EPS1	EPS2	EPS4
Installed Length - A (not including nipple)	4.57 (116)	4.57 (116)	7.95 (202)	7.95 (202)

TEE CAP (TC)

Provides for cleanout at the end of a manifold when connected to a 90° Tee (T90) or a 45° Lateral Tee (T45).

Ordered parts includes:

1 tee cap	For double wall chimney also:
1 U-band (UB)	1 Channel Band (CB)
1 hardware	1 insulation



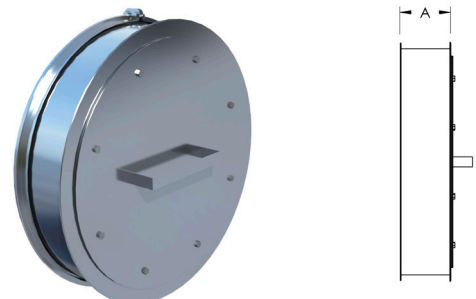
	EPS	EPS1	EPS2	EPS4
Installed Length - A	4.57 (116)	4.57 (116)	7.95 (202)	7.95 (202)

GREASE DUCT TEE CAP (GTC)

Provides for a cleanout of a grease duct when connected to a 90° Tee (T90) or a 45° Lateral Tee (T45).

Ordered parts includes:

1 tee cap	For double wall chimney also:
1 U-band (UB)	1 Closure Band (CLB)
1 hardware	1 insulation



	EPS	EPS1	EPS2	EPS4
Installed Length - A (not including handle)	4.57 (116)	4.57 (116)	7.95 (202)	7.95 (202)

CONNECTIONS

(PLEASE INQUIRE ABOUT CONNECTORS FOR SPECIFIC BOILER MODELS)

UNIVERSAL BOILER KIT ADAPTER (UBK)

Designed to connect to a boiler or other with a flanged outlet with a 4, 6, 8 or 12 hole pattern.

1/4" thick split flange with 24 equally spaced holes.

Flow Resistance:

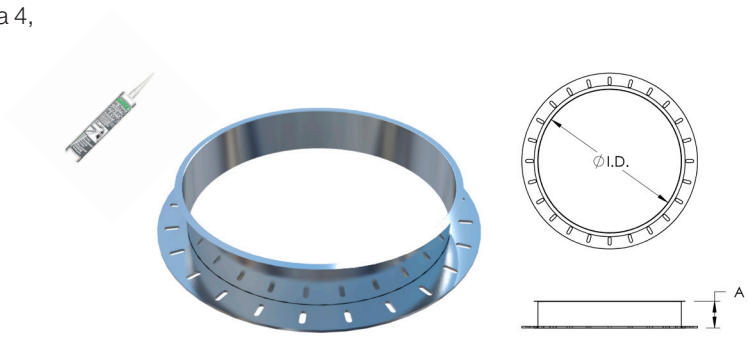
K = 0

Ordered parts includes:

2 half boiler adapter flange plates

Ordered separately:

Two-piece Cover Jacket (CJ) or Closure Band (CLB)



	EPS	EPS1	EPS2	EPS4
Installed Length - A		3.94 (100)		

FLANGE ADAPTER KIT (FAK)

Custom made to customer's specifications. Flange is welded onto a 6" flanged liner

Flow Resistance:

K = 0

Ordered parts includes:

2 half flanges

1 liner with flange

1 U-band (UB)

1 hardware

Ordered separately:

Two-piece Cover Jacket (CJ) or Closure Band (CLB)



	EPS	EPS1	EPS2	EPS4
Installed Length - A		3.94 (100)		

Specify hole pattern and dimensions at order entry

APPLIANCE CONNECTOR / SEAL RING (SR)

Used for non-welded attachment to appliances without a flanged outlet or with a collar outlet.

Ordered parts includes:

1 seal ring

1 Flanged Hood Connector (FHC)

1 V-band (VB)

1 hardware

Ordered separately:

Two-piece Cover Jacket (CJ) or Closure Band (CLB)



	EPS	EPS1	EPS2	EPS4
Installed Length - A		12.99 (330)		

FLANGE ADAPTER - ANSI 125/150 (AFA)

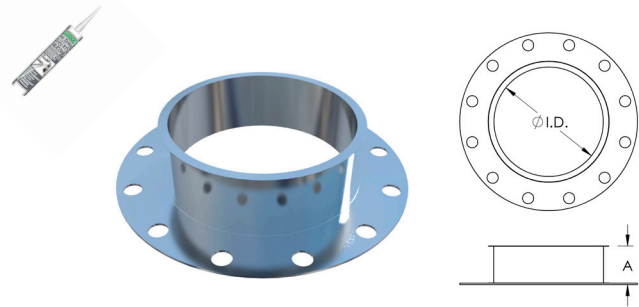
Provides a rigid connection to a 125 lbs. or 150 lbs. ANSI Flange.

Ordered parts includes:

- 2 liner with ANSI flange
- 1 liner with flange
- 1 U-band (UB)
- 1 hardware

Ordered separately:

Two-piece Cover Jacket (CJ) or Closure Band (CLB)



	EPS	EPS1	EPS2	EPS4
Installed Length - A		3.94 (100)		

EXHAUST FLEX CONNECTOR (SFX / DFX)

Used as a high temperature vibration isolator at the engine or generator manifold. Can be used between a generator and a silencer or between a generator and a chimney. Made in Type 321 stainless steel.

Specify generator model and/or silencer model to ease installation.

Ordered parts includes:

Single-leg (SFX) or double-leg (DFX) liner with ANSI flanges



	EPS	EPS1	EPS2	EPS4
Length		Specify when ordering		
Inlet Flange and Hole Pattern		Specify when ordering		
Outlet Flange and Hole Pattern		Specify when ordering		



FLANGED HOOD CONNECTIONS (FHC)

Used on standard appliances such as kitchen exhaust. Flanged at both ends. Can be used for welding to equipment or transition fabricated in the field.

Flow Resistance:

$K = 0$

Ordered parts includes:

- 1 connection
- 1 U-band (UB)
- 1 hardware

Ordered separately:

Two-piece Cover Jacket (CJ) or Closure Band (CLB)



	EPS	EPS1	EPS2	EPS4
Installed Length - A		3.94 (100)		

UNFLANGED HOOD CONNECTION (UHC)

Used on standard appliances such as kitchen exhaust. Flanged at one end only. Can be used for welding to equipment or transition fabricated in the field.

Flow Resistance:

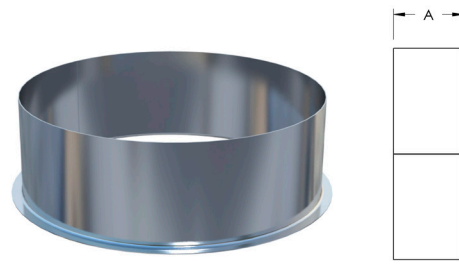
$K = 0$

Ordered parts includes:

- 1 connection
- 1 U-band (UB)
- 1 hardware

Ordered separately:

Two-piece Cover Jacket (CJ) or Closure Band (CLB)



	EPS	EPS1	EPS2	EPS4
Installed Length - A		3.94 (100)		

HOOD TRANSITION (HT)

Used to convert from a square or rectangular hood connection to round pipe.

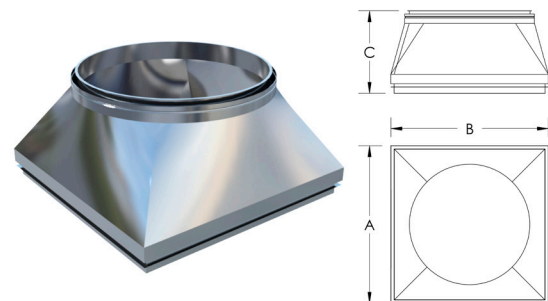
Flow Resistance:

$K =$

Ordered parts includes:

- 1 hood transition
- 1 U-band (UB)
- 1 hardware
- 1 insulation
- 1 Channel Band (CB)

SPECIFY DIMENSIONAL DATA AT ORDER ENTRY



TERMINATIONS

STACK CAP (SK)

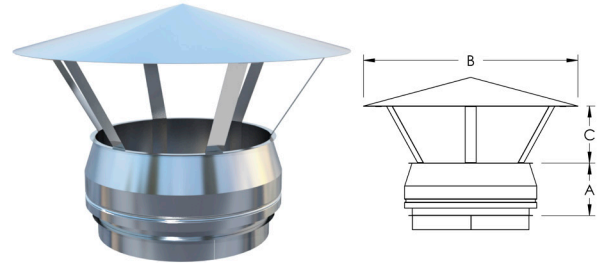
Provides partial protection with low flow resistance. May require a Drain Tee Cap (DTC) at the base of stack.

Flow Resistance:

K = 0.5

Ordered parts includes:

- | | |
|---------------|-------------------------------|
| 1 stack cap | For double wall chimney also: |
| 1 U-band (UB) | 1 Channel Band (CB) |
| 1 hardware | 1 insulation |



SIZE	EPS/ EPS1	EPS2	EPS4	ALL TYPES	
	A	A	A	B	C
4 (100)	6.3 (160)	9.92 (252)	14.17 (360)	5.91 (150)	1.81 (46)
6 (150)	6.3 (160)	9.92 (252)	14.17 (360)	10.24 (260)	2.80 (71)
8 (200)	6.3 (160)	9.92 (252)	14.17 (360)	13.62 (346)	3.70 (94)
10 (250)	6.3 (160)	9.92 (252)	14.17 (360)	16.93 (430)	4.76 (121)
12 (300)	6.3 (160)	9.92 (252)	14.17 (360)	20.47 (520)	5.75 (146)
14 (350)	6.3 (160)	9.92 (252)	14.17 (360)	25.59 (650)	6.57 (167)
16 (400)	6.3 (160)	9.92 (252)	14.17 (360)	28.94 (735)	7.60 (193)
18 (450)	6.3 (160)	9.92 (252)	14.17 (360)	32.28 (820)	8.54 (217)
20 (500)	6.3 (160)	9.92 (252)	14.17 (360)	35.63 (905)	9.57 (243)
22 (550)	6.3 (160)	9.92 (252)	14.17 (360)	38.98 (990)	10.55 (268)
24 (600)	6.3 (160)	9.92 (252)	14.17 (360)	42.52 (1080)	11.54 (293)

SIZE	EPS/ EPS1	EPS2	EPS4	ALL TYPES	
	A	A	A	B	C
26 (650)	6.3 (160)	9.92 (252)	14.17 (360)	44.09 (1120)	12.56 (319)
28 (700)	6.3 (160)	9.92 (252)	14.17 (360)	45.67 (1160)	13.54 (344)
30 (750)	6.3 (160)	9.92 (252)	14.17 (360)	47.24 (1200)	15.57 (370)
32 (800)	6.3 (160)	9.92 (252)	14.17 (360)	48.82 (1240)	15.55 (395)
34 (850)	6.3 (160)	9.92 (252)	14.17 (360)	50.39 (1280)	16.54 (420)
36 (900)	6.3 (160)	9.92 (252)	14.17 (360)	51.97 (1320)	17.52 (445)
38 (950)	6.3 (160)	9.92 (252)	14.17 (360)	53.54 (1360)	18.54 (471)
40 (1000)	6.3 (160)	9.92 (252)	14.17 (360)	55.12 (1400)	19.53 (496)
44 (1100)	6.3 (160)	9.92 (252)	14.17 (360)	58.27 (1480)	20.51 (521)
48 (1200)	6.3 (160)	9.92 (252)	14.17 (360)	61.42 (1560)	21.54 (547)

STACK CLOSURE SECTION (ST)

An open ended terminal that closes the space between inner liner and outer casing and provides a zero resistance outlet.

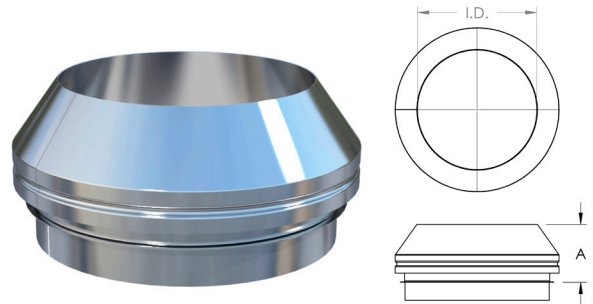
Flow Resistance:

$K = \sim 0$

Ordered parts includes:

1 stack closure part
 1 U-band (UB)
 1 hardware

For double wall chimney also:
 1 Channel Band (CB)
 1 insulation



	EPS	EPS1	EPS2	EPS4
Installed Length - A	6.30 (160)	6.30 (160)	9.92 (252)	14.71 (360)

MITER SECTION (MS)

Used for horizontal engine and generator exhaust when discharging horizontally. Can also be used with a 90° elbow (L90) for vertical chimney termination.

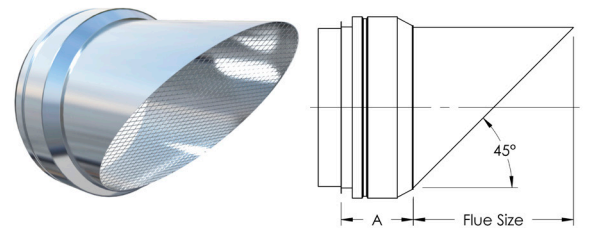
Flow Resistance:

$K = \sim 0$

Ordered parts includes:

1 miter section
 1 U-band (UB)
 1 hardware

For double wall chimney also:
 1 Channel Band (CB)
 1 insulation



	EPS	EPS1	EPS2	EPS4
Installed Length - A + flue size	6.30 (160)	6.30 (160)	9.92 (252)	14.71 (360)

EXCESSIVE PRESSURE RELIEF VALVE (ERV)

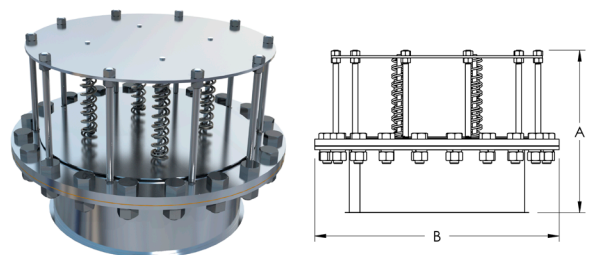
For use on all engine and generator exhaust. Helps relieve excessive back pressure. Install in 90° Tee (T90) or 45° Lateral Tee (T45).

Ordered parts includes:

1 ERV
 1 Flange Adapter ANSI (AFA)

For double wall chimney also:
 1 U-band (UB)
 1 hardware

1 Channel Band (CB)
 1 insulation



	EPS	EPS1	EPS2	EPS4
Installed Length - A	15.75 (400)	15.75 (400)	19.13 (486)	19.13 (486)

FLIP TOP (FT)

Termination used with engine and generator exhaust. Prevents moisture and debris from entering the stack. Flip top opens with internal pressure and closes when pressure is absent.

Available in sizes 4" through 24"

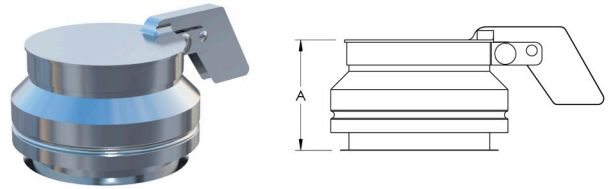
Flow Resistance:

$K = 0.5$

Ordered parts includes:

1 flip top section
 1 U-band (UB)
 1 hardware

For double wall chimney also:
 1 Channel Band (CB)
 1 insulation



	EPS	EPS1	EPS2	EPS4
Installed Length - A	7.28 (185)	7.28 (185)	10.91 (277)	15.16 (385)

FAN PLATE ADAPTER (FA)

Used for connection to a chimney fan (RSV) termination fan or other termination fan.

Note: Dimension (B) of square plate must be specified when ordering.

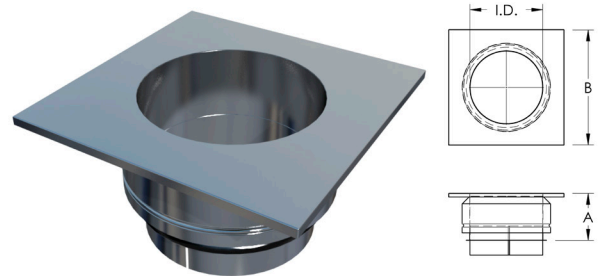
Flow Resistance:

$K = \sim 0$

Ordered parts includes:

1 fan plate adapter
 1 U-band (UB)
 1 hardware

For double wall chimney also:
 1 Channel Band (CB)
 1 insulation



	EPS	EPS1	EPS2	EPS4
Installed Length - A	7.28 (185)	7.28 (185)	10.91 (277)	15.16 (385)
Plate size - B	Specify when ordering			

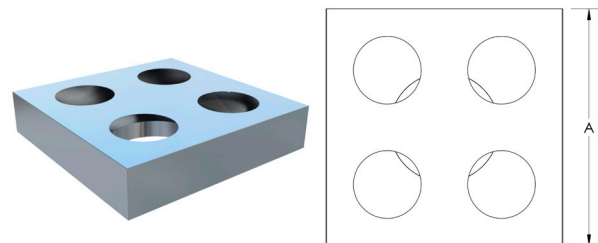
PLENUM BOX (PLX)

Used when multiple termination chimney fans are needed for redundancy or to provide added performance. Has slip connection that fits into a standard chimney. Must be supported.

Can be fitted with isolation dampers (ADF) at each fan connection.

Ordered parts includes:

1 plenum box with slip connection.



	EPS	EPS1	EPS2	EPS4
Dimensions	Specify when ordering			

SUPPORTS

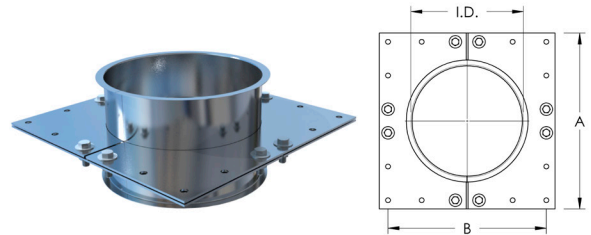
SUPPORT PLATE ASSEMBLY (SPA)

Used for supporting the load of a stack and as a fixing point anchor near fittings. Consists of two sets of half-plates, split flange and support length.

Ordered parts includes:

- | | |
|------------------|-------------------------------|
| 4 half-plates | For double wall chimney also: |
| 1 split flange | 2 Half Channel Band (HCB) |
| 1 support length | 1 insulation |
| 1 U-band (UB) | |
| 1 Hardware | |

THE ASSEMBLY MUST BE MOUNTED ON ALL FOUR SIDES TO A STRUCTURAL FRAME AND ATTACHED TO THE BUILDING STRUCTURE.



Installed Length: 6.67 (170)

SIZE	EPS / EPS1		EPS2		EPS4		SIZE	EPS / EPS1		EPS2		EPS4	
	A	B	A	B	A	B		A	B	A	B	A	B
4 (100)	9.92 (252)	8.35 (212)	11.89 (302)	10.31 (262)	15.83 (402)	14.25 (362)	26 (650)	31.65 (804)	29.69 (754)	33.62 (854)	30.63 (778)	37.56 (954)	34.57 (878)
6 (150)	11.89 (302)	10.31 (262)	13.89 (352)	12.28 (312)	17.80 (452)	16.22 (412)	28 (700)	33.62 (854)	31.65 (804)	35.59 (904)	32.60 (828)	39.53 (1004)	36.54 (928)
8 (200)	13.86 (352)	12.28 (312)	15.83 (402)	14.25 (362)	19.76 (502)	18.19 (462)	30 (750)	35.59 (904)	33.62 (854)	37.56 (954)	34.57 (878)	41.50 (1054)	38.50 (978)
10 (250)	15.83 (402)	14.25 (362)	17.80 (452)	16.22 (412)	21.73 (552)	20.16 (512)	32 (800)	37.56 (954)	35.59 (904)	39.53 (1004)	36.54 (928)	43.46 (1104)	40.47 (1028)
12 (300)	17.80 (452)	16.22 (412)	19.76 (502)	18.19 (462)	23.70 (602)	22.13 (562)	34 (850)	39.53 (1004)	37.56 (954)	41.50 (1054)	38.50 (978)	45.43 (1154)	42.44 (1078)
14 (350)	19.76 (502)	18.19 (462)	21.73 (552)	20.16 (512)	25.67 (652)	24.09 (612)	36 (900)	41.50 (1054)	39.53 (1004)	43.46 (1104)	40.47 (1028)	47.40 (1204)	44.41 (1128)
16 (400)	21.73 (552)	20.16 (512)	23.70 (602)	22.13 (562)	27.64 (702)	26.06 (662)	38 (950)	43.46 (1104)	41.50 (1054)	45.43 (1154)	42.44 (1078)	49.37 (1254)	46.38 (1178)
18 (450)	23.70 (602)	22.13 (562)	25.67 (652)	24.09 (612)	29.61 (752)	28.03 (712)	40 (1000)	45.43 (1154)	43.46 (1104)	47.40 (1204)	44.41 (1128)	51.34 (1304)	48.35 (1228)
20 (500)	25.67 (652)	24.09 (612)	27.64 (702)	26.06 (662)	31.65 (804)	29.69 (754)	44 (1100)	49.37 (1254)	47.40 (1204)	51.34 (1304)	48.35 (1228)	55.28 (1404)	52.28 (1328)
22 (550)	27.64 (702)	26.06 (662)	29.61 (752)	28.03 (712)	33.62 (854)	31.65 (804)	48 (1200)	53.31 (1354)	51.34 (1304)	55.28 (1404)	52.28 (1328)	59.12 (1504)	56.22 (1428)
24 (600)	29.61 (752)	28.03 (712)	31.65 (804)	29.69 (754)	35.59 (904)	33.62 (854)							

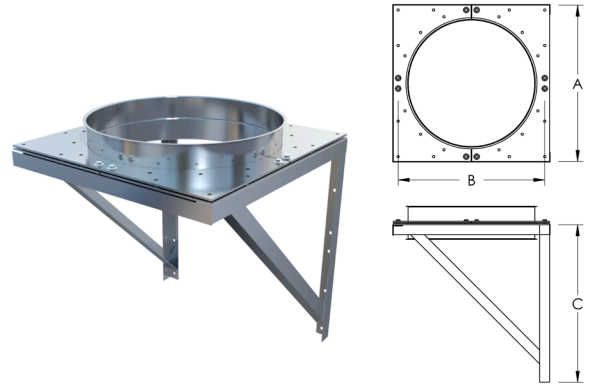
VERTICAL SUPPORT (VSPA)

Use for partly supporting the load of a vertical chimney system with factory supplied bracing. Assembly will maintain a 4" or 8" clearance between pipe OD and supporting structure.

Installed height = 6

Ordered parts includes:

1 liner	For double wall chimney also:
1 U-band (UB)	2 Half Channel Band (HCB)
1 hardware	1 insulation



Installed Length: 6.67 (170)

SIZE	EPS / EPS1		EPS2		EPS4		ALL
	A	B	A	B	A	B	
4 (100)	9.92 (252)	8.35 (212)	11.89 (302)	10.31 (262)	15.83 (402)	14.25 (362)	13.19 (335)
6 (150)	11.89 (302)	10.31 (262)	13.89 (352)	12.28 (312)	17.80 (452)	16.22 (412)	15.16 (385)
8 (200)	13.86 (352)	12.28 (312)	15.83 (402)	14.25 (362)	19.76 (502)	18.19 (462)	16.14 (410)
10 (250)	15.83 (402)	14.25 (362)	17.80 (452)	16.22 (412)	21.73 (552)	20.16 (512)	17.13 (435)
12 (300)	17.80 (452)	16.22 (412)	19.76 (502)	18.19 (462)	23.70 (602)	22.13 (562)	19.09 (485)
14 (350)	19.76 (502)	18.19 (462)	21.73 (552)	20.16 (512)	25.67 (652)	24.09 (612)	21.06 (535)
16 (400)	21.73 (552)	20.16 (512)	23.70 (602)	22.13 (562)	27.64 (702)	26.06 (662)	23.03 (585)
18 (450)	23.70 (602)	22.13 (562)	25.67 (652)	24.09 (612)	29.61 (752)	28.03 (712)	25.00 (635)
20 (500)	25.67 (652)	24.09 (612)	27.64 (702)	26.06 (662)	31.65 (804)	29.69 (754)	26.97 (685)
22 (550)	27.64 (702)	26.06 (662)	29.61 (752)	28.03 (712)	33.62 (854)	31.65 (804)	33.62 (854)
24 (600)	29.61 (752)	28.03 (712)	31.65 (804)	29.69 (754)	35.59 (904)	33.62 (854)	35.59 (904)

SIZE	EPS / EPS1		EPS2		EPS4		ALL
	A	B	A	B	A	B	
26 (650)	31.65 (804)	29.69 (754)	33.62 (854)	30.63 (778)	37.56 (954)	34.57 (878)	37.56 (954)
28 (700)	33.62 (854)	31.65 (804)	35.59 (904)	32.60 (828)	39.53 (1004)	36.54 (928)	39.53 (1004)
30 (750)	35.59 (904)	33.62 (854)	37.56 (954)	34.57 (878)	41.50 (1054)	38.50 (978)	41.50 (1054)
32 (800)	37.56 (954)	35.59 (904)	39.53 (1004)	36.54 (928)	43.46 (1104)	40.47 (1028)	43.46 (1104)
34 (850)	39.53 (1004)	37.56 (954)	41.50 (1054)	38.50 (978)	45.43 (1154)	42.44 (1078)	45.43 (1154)
36 (900)	41.50 (1054)	39.53 (1004)	43.46 (1104)	40.47 (1028)	47.40 (1204)	44.41 (1128)	47.4 (1204)
38 (950)	43.46 (1104)	41.50 (1054)	45.43 (1154)	42.44 (1078)	49.37 (1254)	46.38 (1178)	49.37 (1254)
40 (1000)	45.43 (1154)	43.46 (1104)	47.40 (1204)	44.41 (1128)	51.34 (1304)	48.35 (1228)	51.34 (1304)
44 (1100)	49.37 (1254)	47.40 (1204)	51.34 (1304)	48.35 (1228)	55.28 (1404)	52.28 (1328)	55.28 (1404)
48 (1200)	53.31 (1354)	51.34 (1304)	55.28 (1404)	52.28 (1328)	59.12 (1504)	56.22 (1428)	59.21 (1504)

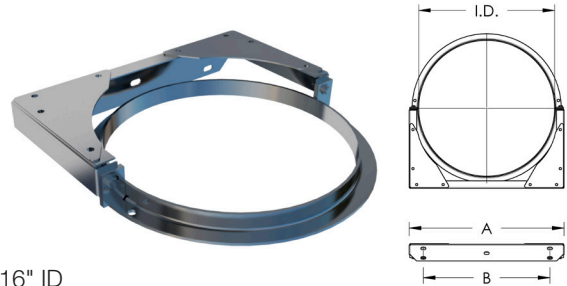
WALL GUIDE (WG)

Used for guiding vertical installation. Uses a Full Angle Ring (FR) with factory-supplied bracing. Assembly will maintain a 4" or 8" clearance between pipe OD and supporting structure.

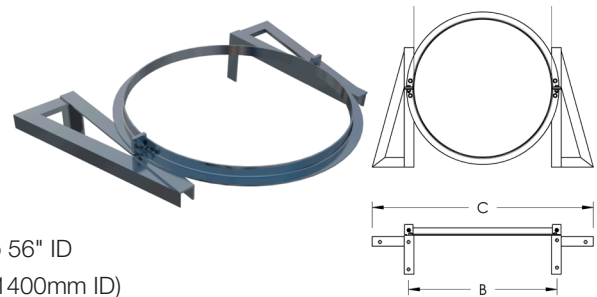
Ordered parts includes:

- 1 liner
- 1 U-band (UB)
- 1 hardware

PLEASE NOTE THAT SIZES ARE BASED ON THE OUTER DIAMETER OF THE CHIMNEY, AND NOT THE INNER DIAMETER AS USED FOR OTHER PARTS.



4" to 16" ID
(100-400mm ID)



18" to 56" ID
(450-1400mm ID)

SIZE OD	ALL		
	A	B	
4 (100)	4.09 (104)	5.91 (150)	NA
6 (150)	6.06 (154)	6.89 (175)	NA
8 (200)	8.03 (204)	7.87 (200)	NA
10 (250)	10.00 (254)	8.86 (225)	NA
12 (300)	11.97 (304)	10.35 (263)	NA
14 (350)	13.94 (354)	12.32 (313)	NA
16 (400)	16.06 (408)	14.29 (363)	NA
18 (450)	18.03 (458)	32.64 (829)	20.24 (514)
20 (500)	20.00 (508)	35.04 (890)	22.20 (564)
22 (550)	21.97 (558)	37.48 (952)	24.17 (614)
24 (600)	23.94 (608)	39.92 (1014)	26.14 (664)

SIZE OD	ALL		
	A	B	
26 (650)	25.91 (658)	42.36 (1076)	28.11 (714)
28 (700)	27.87 (708)	44.80 (1138)	30.08 (764)
30 (750)	29.84 (758)	47.24 (1200)	32.05 (814)
32 (800)	31.81 (808)	49.80 (1265)	34.02 (864)
34 (850)	33.78 (858)	52.28 (1328)	35.98 (914)
36 (900)	35.75 (908)	54.80 (1392)	37.95 (964)
38 (950)	37.72 (958)	57.24 (1454)	39.92 (1014)
40 (1000)	39.69 (1008)	59.76 (1518)	41.89 (1064)
42 (1050)	41.65 (1058)	62.28 (1582)	43.86 (1114)
44 (1100)	43.62 (1108)	64.72 (1644)	45.83 (1164)
46 (1150)	45.59 (1158)	67.24 (1708)	47.80 (1214)

SIZE OD	ALL		
	A	B	
48 (1200)	47.56 (1208)	69.69 (1770)	49.76 (1264)
50 (1250)	49.53 (1258)	72.20 (1834)	51.73 (1314)
52 (1300)	51.50 (1308)	74.72 (1898)	53.70 (1364)
54.00 (1350)	53.46 (1358)	77.24 (1962)	55.67 (1414)
56.00 (1400)	55.43 (1408)	79.76 (2026)	57.64 (1464)

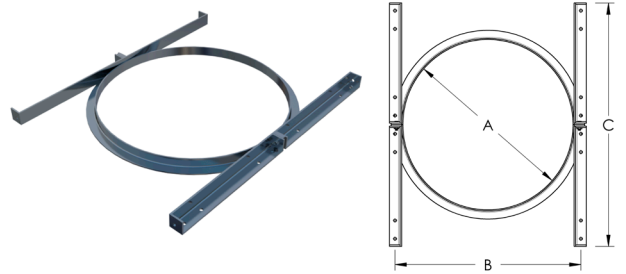
FLOOR GUIDE (FG)

Used for guiding vertical installation through floors. Uses a Full-Angle Ring (FR) with factory-supplied bracing for use on floor level.

Ordered parts includes:

- 1 floor guide
- 1 hardware

PLEASE NOTE THAT SIZES ARE BASED ON THE OUTER DIAMETER OF THE CHIMNEY, AND NOT THE INNER DIAMETER AS USED FOR OTHER PARTS.



SIZE OD	ALL		
	A	B	C
4 (100)	4.09 (104)	5.87 (149)	27.00 (686)
6 (150)	6.06 (154)	7.73 (199)	27.00 (686)
8 (200)	8.03 (204)	9.80 (249)	27.00 (686)
10 (250)	10.00 (254)	11.77 (299)	27.00 (686)
12 (300)	11.97 (304)	13.74 (349)	27.00 (686)
14 (350)	13.94 (354)	15.71 (399)	27.00 (686)
16 (400)	16.06 (408)	17.68 (449)	32.52 (826)
18 (450)	18.03 (458)	19.65 (499)	32.52 (826)
20 (500)	20.00 (508)	21.61 (549)	32.52 (826)
22 (550)	21.97 (558)	23.58 (599)	32.52 (826)
24 (600)	23.94 (608)	25.55 (649)	32.52 (826)

SIZE OD	ALL		
	A	B	C
26 (650)	25.91 (658)	27.52 (699)	39.37 (1000)
28 (700)	27.87 (708)	29.49 (749)	39.37 (1000)
30 (750)	29.84 (758)	31.46 (799)	39.37 (1000)
32 (800)	31.81 (808)	33.43 (849)	39.37 (1000)
34 (850)	33.78 (858)	35.39 (899)	47.24 (1200)
36 (900)	35.75 (908)	37.36 (949)	39.37 (1200)
38 (950)	37.72 (958)	39.33 (999)	39.37 (1000)
40 (1000)	39.69 (1008)	41.30 (1049)	39.37 (1200)
42 (1050)	41.65 (1058)	43.27 (1099)	51.18 (1300)
44 (1100)	43.62 (1108)	45.24 (1149)	51.18 (1300)
46 (1150)	45.59 (1158)	47.20 (1199)	51.18 (1300)

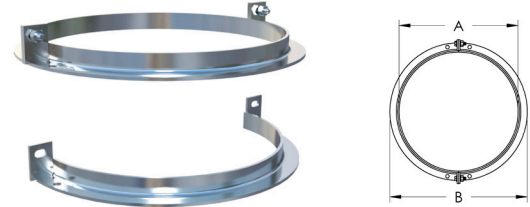
SIZE OD	ALL		
	A	B	C
48 (1200)	47.56 (1208)	49.17 (1249)	59.05 (1500)
50 (1250)	49.53 (1258)	51.14 (1299)	59.05 (1500)
52 (1300)	51.50 (1308)	53.11 (1349)	59.05 (1500)
54 (1350)	53.46 (1358)	55.08 (1399)	59.05 (1500)
56 (1400)	55.43 (1408)	57.05 (1449)	59.05 (1500)

FULL ANGLE RING / HALF ANGLE RING (FR / HR)

Used for guiding and/or supporting horizontal installations

Ordered parts includes:

- 1 Full Angle Ring or 1 Half Angle Ring
- 1 hardware



ID SIZE	ALL	
	A	B
4 (100)	4.09 (104)	4.61 (117)
6 (150)	6.06 (154)	6.57 (167)
8 (200)	8.03 (204)	8.54 (217)
10 (250)	10.00 (254)	10.51 (267)
12 (300)	11.97 (304)	12.48 (317)
14 (350)	13.94 (354)	14.45 (367)
16 (400)	16.06 (408)	18.56 (472)
18 (450)	18.03 (458)	20.53 (522)
20 (500)	20.00 (508)	22.51 (572)
22 (550)	21.97 (558)	24.49 (622)
24 (600)	23.94 (608)	26.46 (672)

SIZE	ALL	
	A	B
26 (650)	25.91 (658)	28.42 (722)
28 (700)	27.87 (708)	30.87 (784)
30 (750)	29.84 (758)	32.83 (834)
32 (800)	31.81 (808)	34.80 (884)
34 (850)	33.78 (858)	36.77 (934)
36 (900)	35.75 (908)	38.74 (984)
38 (950)	37.72 (958)	40.71 (1034)
40 (1000)	39.69 (1008)	43.70 (1110)
42 (1050)	41.65 (1058)	45.67 (1160)
44 (1100)	43.62 (1108)	47.64 (1210)
46 (1150)	45.59 (1158)	49.61 (1260)

SIZE	ALL	
	A	B
48 (1200)	47.56 (1208)	51.57 (1310)
50 (1250)	49.53 (1258)	53.54 (1360)
52 (1300)	51.50 (1308)	55.51 (1410)
54.00 (1350)	53.46 (1358)	57.48 (1460)
56.00 (1400)	55.43 (1408)	59.45 (1510)

GUY SECTION ASSEMBLY (GSA)

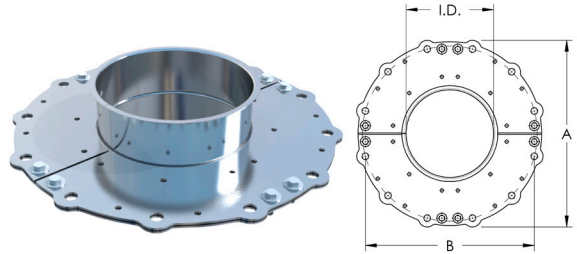
A rigid, factory welded section for attaching guys to the chimney stack

Ordered parts includes:

- | | |
|---------------|-------------------------------|
| 1 guy ring | For double wall chimney also: |
| 1 U-band (UB) | 1 Half Channel Band (HCB) |
| 1 hardware | 1 insulation |

Ordered separately:

Storm Collar (SC)



Installed Length: 6.67 (170)

	EPS	EPS1	EPS2	EPS4
Dimension A		Pipe ID + 10.83 (Pipe ID + 275)		

CENTERING BAND (CTB)

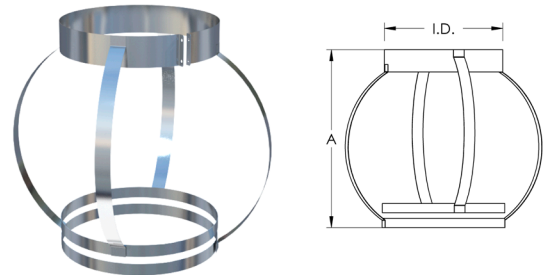
Used to center a single wall chimney/liner installed in a masonry chimney.

Only available for EPS, single wall liner.

Ordered parts includes:

- 1 centering band
- 1 hardware

	EPS	EPS1	EPS2	EPS4
Min. Length - A		24.00 (635)		
Min. Cross Section		ID + 1.00 (ID + 25)		
Max. Cross Section		ID + 11.00 (ID + 279)		



PENETRATIONS

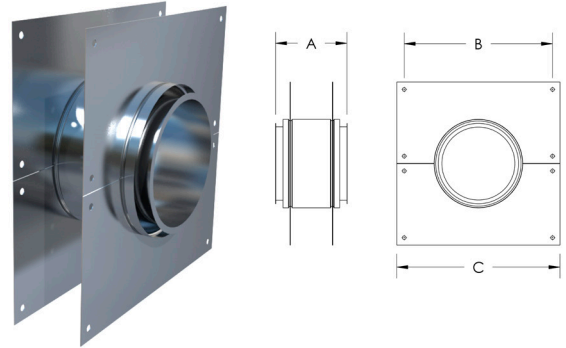
WALL FIRESTOP (WF)

Used as wall mounted firestop. Consists of two centering cover plate and an insulation pipe section.

Ordered parts includes:

- 1 fire stop
- 2 Closure Bands (CLB)

	EPS	EPS1	EPS2	EPS4
Installed Length - A		Specified when ordering		
Hole distance - B		Specified when ordering		
Plate size - C		Specified when ordering		



INSULATED ROOF/WALL THIMBLE (IT)

Used when pipe passes through a combustible roof or wall structure to eliminate clearance to combustibles. The thimble allows for pipe expansion and contraction through the roof or wall.

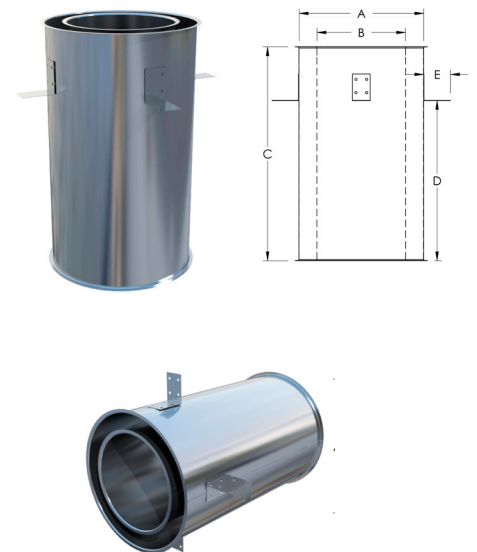
Ordered parts includes:

- 1 thimble

Ordered separately:

- 1 Flashing (FL)
- 1 Storm Collar (SC)

DIMENSIONS on next page



SIZE	EPS		EPS1		EPS2		EPS4		ALL		
	A	B	A	B	A	B	A	B	C	D	E
4 (100)	9.84 (250)	5.91 (150)	11.81 (300)	7.87 (200)	13.78 (350)	9.84 (250)	17.72 (450)	13.78 (350)	23.62 (600)	17.72 (450)	2.95 (75)
6 (150)	11.81 (300)	7.87 (200)	13.78 (350)	9.84 (250)	15.75 (400)	11.81 (300)	19.69 (500)	15.75 (400)	23.62 (600)	17.72 (450)	2.95 (75)
8 (200)	13.78 (350)	9.84 (250)	15.75 (400)	11.81 (300)	17.72 (450)	13.78 (350)	21.65 (550)	17.72 (450)	23.62 (600)	17.72 (450)	2.95 (75)
10 (250)	15.75 (400)	11.81 (300)	17.72 (450)	13.78 (350)	19.69 (500)	15.75 (400)	23.62 (600)	19.69 (500)	23.62 (600)	17.72 (450)	2.95 (75)
12 (300)	17.72 (450)	13.78 (350)	19.69 (500)	15.75 (400)	21.65 (550)	17.72 (450)	25.59 (650)	21.65 (550)	23.62 (600)	17.72 (450)	2.95 (75)
14 (350)	19.69 (500)	15.75 (400)	21.65 (550)	17.72 (450)	23.62 (600)	19.69 (500)	27.56 (700)	23.62 (600)	23.62 (600)	17.72 (450)	2.95 (75)
16 (400)	21.65 (550)	17.72 (450)	23.62 (600)	19.69 (500)	25.59 (650)	21.65 (550)	29.53 (750)	25.59 (650)	23.62 (600)	17.72 (450)	2.95 (75)
18 (450)	23.62 (600)	19.69 (500)	25.59 (650)	21.65 (550)	27.56 (700)	23.62 (600)	31.50 (800)	27.56 (700)	23.62 (600)	17.72 (450)	2.95 (75)
20 (500)	25.59 (650)	21.65 (550)	27.56 (700)	23.62 (600)	29.53 (750)	25.59 (650)	33.46 (850)	29.53 (750)	23.62 (600)	17.72 (450)	2.95 (75)
22 (550)	27.56 (700)	23.62 (600)	29.53 (750)	25.59 (650)	31.50 (800)	27.56 (700)	35.43 (900)	31.50 (800)	23.62 (600)	17.72 (450)	2.95 (75)
24 (600)	29.53 (750)	25.59 (650)	31.50 (800)	27.56 (700)	33.46 (850)	29.53 (750)	37.40 (950)	33.46 (850)	23.62 (600)	17.72 (450)	2.95 (75)
26 (650)	31.50 (800)	27.56 (700)	33.46 (850)	29.53 (750)	35.43 (900)	31.50 (800)	39.37 (1000)	35.43 (900)	23.62 (600)	17.72 (450)	2.95 (75)
28 (700)	33.46 (850)	29.53 (750)	35.43 (900)	31.50 (800)	37.40 (950)	33.46 (850)	41.34 (1050)	37.40 (950)	23.62 (600)	17.72 (450)	2.95 (75)
30 (750)	35.43 (900)	31.50 (800)	37.40 (950)	33.46 (850)	39.37 (1000)	35.43 (900)	43.31 (1100)	39.37 (1000)	23.62 (600)	17.72 (450)	2.95 (75)
32 (800)	37.40 (950)	33.46 (850)	39.37 (1000)	35.43 (900)	41.34 (1050)	37.40 (950)	45.28 (1150)	41.34 (1050)	23.62 (600)	17.72 (450)	2.95 (75)
34 (850)	39.37 (1000)	35.43 (900)	41.34 (1050)	37.40 (950)	43.31 (1100)	39.37 (1000)	47.24 (1200)	43.31 (1100)	23.62 (600)	17.72 (450)	2.95 (75)
36 (900)	41.34 (1050)	37.40 (950)	43.31 (1100)	39.37 (1000)	45.28 (1150)	41.34 (1050)	49.12 (1250)	45.28 (1150)	23.62 (600)	17.72 (450)	2.95 (75)
38 (950)	43.31 (1100)	39.37 (1000)	45.28 (1150)	41.34 (1050)	47.24 (1200)	43.31 (1100)	51.18 (1300)	47.24 (1200)	23.62 (600)	17.72 (450)	2.95 (75)
40 (1000)	45.28 (1150)	41.34 (1050)	47.24 (1200)	43.31 (1100)	49.12 (1250)	45.28 (1150)	53.15 (1350)	49.12 (1250)	23.62 (600)	17.72 (450)	2.95 (75)
44 (1100)	49.21 (1250)	45.28 (1150)	51.18 (1300)	47.24 (1200)	53.15 (1350)	49.21 (1250)	57.09 (1450)	53.15 (1350)	23.62 (600)	17.72 (450)	2.95 (75)
48 (1200)	53.15 (1350)	49.12 (1250)	55.12 (1400)	51.18 (1300)	57.09 (1450)	53.15 (1350)	61.02 (1550)	57.09 (1450)	23.62 (600)	17.72 (450)	2.95 (75)

FLASHINGS (FL, F35, F45)

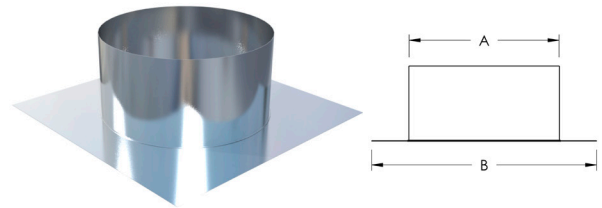
Used in conjunction with a storm collar for weatherization of the roof

Ordered parts includes:

1 flashing

Ordered separately:

1 Storm Collar (SC) - make sure to use size equal to pipe OD + 4".



ID SIZE	ALL		
	A	B	C
6 (150)	6.30 (160)	9.84 (250)	11.81 (300)
8 (200)	8.27 (210)	11.81 (300)	11.81 (300)
10 (250)	10.24 (260)	13.78 (350)	11.81 (300)
12 (300)	12.20 (310)	15.75 (400)	11.81 (300)
14 (350)	14.17 (360)	17.72 (450)	11.81 (300)
16 (400)	16.14 (410)	19.69 (500)	11.81 (300)
18 (450)	18.11 (460)	21.65 (550)	11.81 (300)
20 (500)	20.08 (510)	23.62 (600)	11.81 (300)
22 (550)	22.05 (560)	26.59 (650)	11.81 (300)
24 (600)	24.02 (610)	27.56 (700)	11.81 (300)

ID SIZE	ALL		
	A	B	C
26 (650)	26.00 (660)	29.53 (750)	11.81 (300)
28 (700)	27.95 (710)	31.50 (800)	11.81 (300)
30 (750)	29.92 (760)	33.46 (850)	11.81 (300)
32 (800)	31.89 (810)	35.43 (900)	11.81 (300)
34 (850)	33.86 (860)	37.40 (950)	11.81 (300)
36 (900)	35.83 (910)	39.37 (1000)	11.81 (300)
38 (950)	37.80 (960)	41.34 (1050)	11.81 (300)
40 (1000)	39.76 (1010)	43.31 (1100)	11.81 (300)
42 (1050)	41.73 (1060)	45.30 (1150)	11.81 (300)
44 (1100)	43.70 (1110)	47.24 (1200)	11.81 (300)

ID SIZE	ALL		
	A	B	C
46 (1150)	45.67 (1160)	49.21 (1250)	11.81 (300)
48 (1200)	47.64 (1210)	51.18 (1300)	11.81 (300)
50 (1250)	49.61 (1260)	53.15 (1350)	11.81 (300)
52 (1300)	51.57 (1310)	55.12 (1400)	11.81 (300)
54.00 (1350)	53.54 (1360)	57.09 (1450)	11.81 (300)
56.00 (1400)	55.51 (1410)	59.06 (1500)	11.81 (300)
58.00 (1450)	57.48 (1460)	61.02 (1550)	11.81 (300)
60.00 (1500)	59.45 (1510)	62.99 (1600)	11.81 (300)

TELESCOPIC FLASHING (TFL)

This component weatherproofs the Powerstack's passage through the roof and must be used where the expansion of the chimney is calculated to exceed 4" (100mm).

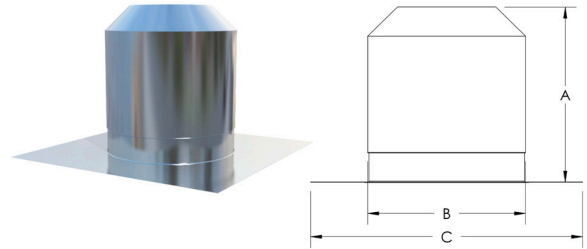
It is also used to weaterproof passage through a wall when an Insulated Wall Thimble (IT) is used

Ordered parts includes:

1 flashing

Ordered separately:

1 Storm Collar (SC) - make sure to use size equal to pipe OD + 4".



ID SIZE	ALL		
	A	B	C
6 (150)	6.30 (160)	9.84 (250)	11.81 (300)
8 (200)	8.27 (210)	11.81 (300)	11.81 (300)
10 (250)	10.24 (260)	13.78 (350)	11.81 (300)
12 (300)	12.20 (310)	15.75 (400)	11.81 (300)
14 (350)	14.17 (360)	17.72 (450)	11.81 (300)
16 (400)	16.14 (410)	19.69 (500)	11.81 (300)
18 (450)	18.11 (460)	21.65 (550)	11.81 (300)
20 (500)	20.08 (510)	23.62 (600)	11.81 (300)
22 (550)	22.05 (560)	26.59 (650)	11.81 (300)
24 (600)	24.02 (610)	27.56 (700)	11.81 (300)

ID SIZE	ALL		
	A	B	C
26 (650)	26.00 (660)	29.53 (750)	11.81 (300)
28 (700)	27.95 (710)	31.50 (800)	11.81 (300)
30 (750)	29.92 (760)	33.46 (850)	11.81 (300)
32 (800)	31.89 (810)	35.43 (900)	11.81 (300)
34 (850)	33.86 (860)	37.40 (950)	11.81 (300)
36 (900)	35.83 (910)	39.37 (1000)	11.81 (300)
38 (950)	37.80 (960)	41.34 (1050)	11.81 (300)
40 (1000)	39.76 (1010)	43.31 (1100)	11.81 (300)
42 (1050)	41.73 (1060)	45.30 (1150)	11.81 (300)
44 (1100)	43.70 (1110)	47.24 (1200)	11.81 (300)

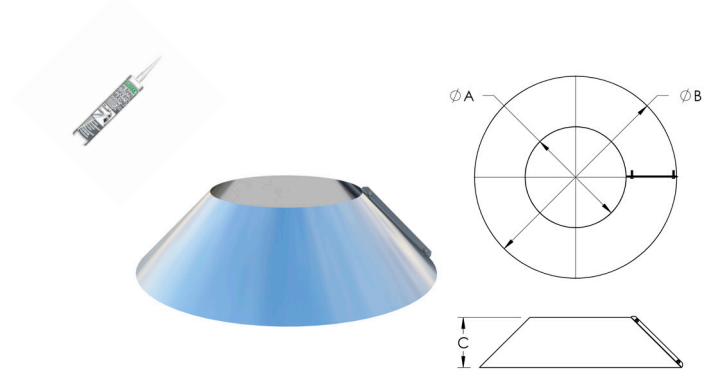
ID SIZE	ALL		
	A	B	C
46 (1150)	45.67 (1160)	49.21 (1250)	11.81 (300)
48 (1200)	47.64 (1210)	51.18 (1300)	11.81 (300)
50 (1250)	49.61 (1260)	53.15 (1350)	11.81 (300)
52 (1300)	51.57 (1310)	55.12 (1400)	11.81 (300)
54.00 (1350)	53.54 (1360)	57.09 (1450)	11.81 (300)
56.00 (1400)	55.51 (1410)	59.06 (1500)	11.81 (300)
58.00 (1450)	57.48 (1460)	61.02 (1550)	11.81 (300)
60.00 (1500)	59.45 (1510)	62.99 (1600)	11.81 (300)

STORM COLLAR (SC)

Used above a flashing and secured to our jacket for complete weatherization above the roof.

Ordered parts includes:

- 1 storm collar
- 1 installation hardware
- 1 silicone (CSI)



ID SIZE	ALL		
	A	B	C
4 (100)	4.02 (102)	8.07 (205)	2.75 (70)
6 (150)	5.98 (152)	10.04 (255)	2.75 (70)
8 (200)	7.95 (202)	11.85 (301)	2.75 (70)
10 (250)	9.92 (252)	13.81 (351)	2.75 (70)
12 (300)	11.88 (302)	15.78 (401)	2.75 (70)
14 (350)	13.85 (352)	17.75 (451)	2.75 (70)
16 (400)	15.82 (402)	19.72 (501)	2.75 (70)
18 (450)	17.79 (452)	24.52 (623)	5.90 (150)
20 (500)	19.76 (502)	26.49 (673)	5.90 (150)
22 (550)	21.73 (552)	28.46 (723)	5.90 (150)
24 (600)	23.70 (602)	30.43 (773)	5.90 (150)

ID SIZE	ALL		
	A	B	C
26 (650)	25.66 (652)	32.40 (823)	5.90 (150)
28 (700)	27.63 (702)	34.37 (873)	5.90 (150)
30 (750)	29.60 (752)	36.33 (923)	5.90 (150)
32 (800)	31.57 (802)	38.30 (973)	5.90 (150)
34 (850)	33.54 (852)	40.27 (1023)	5.90 (150)
36 (900)	35.51 (902)	42.24 (1073)	5.90 (150)
38 (950)	37.48 (952)	44.21 (1123)	5.90 (150)
40 (1000)	39.44 (1002)	49.18 (1173)	5.90 (150)
42 (1050)	41.41 (1052)	48.14 (1223)	5.90 (150)
44 (1100)	43.38 (1102)	50.11 (1273)	5.90 (150)
46 (1150)	45.35 (1152)	52.08 (1323)	5.90 (150)

ID SIZE	ALL		
	A	B	C
48 (1200)	47.32 (1202)	54.05 (1373)	5.90 (150)
50 (1250)	42.29 (1252)	56.02 (1423)	5.90 (150)
52 (1300)	51.25 (1302)	57.99 (1473)	5.90 (150)
54.00 (1350)	53.22 (1352)	59.96 (1523)	5.90 (150)
56.00 (1400)	55.19 (1402)	61.92 (1573)	5.90 (150)

TRANSITIONS

TRANSITIONS FOR FLANGED CONNECTIONS (TFF)

A tapered transition used to connect a standard flange system to the flange of a TDF Power Venter (TDF) or other components.

Flow Resistance:

$K = N (1 - (A / B)^2)^2$, where

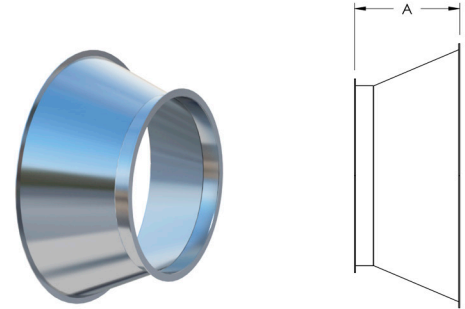
A = starting diameter, B = ending diameter, N = 0.47

Ordered parts includes:

- 1 transition
- 2 U-band (UB)

Ordered separately:

Two-piece Cover Jacket (CJ) or Closure Band (CLB)



	EPS	EPS1	EPS2	EPS4
Installed Length - A	As Specified			
Diameter - IN/OUT	Specify when ordering			

TRANSITIONS FOR BOLT FLANGE CONNECTIONS (TFB)

A tapered transition used to connect a standard flange system to a bolt flange system. Can be used for TDF Power Venters (TDF) and other types of equipment using a bolt flange.

Flow Resistance:

$K = N (1 - (A / B)^2)^2$, where

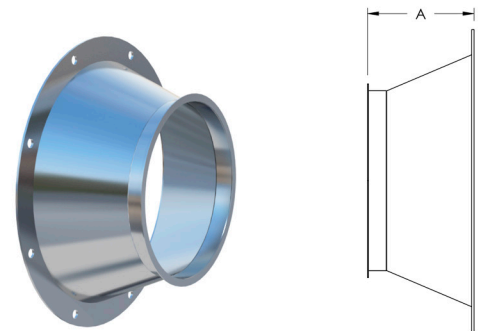
A = starting diameter, B = ending diameter, N = 0.47

Ordered parts includes:

- 1 transition
- 1 U-band (UB)

Ordered separately:

Two-piece Cover Jacket (CJ) or Closure Band (CLB)



	EPS	EPS1	EPS2	EPS4
Installed Length - A	As Specified			
Diameter - IN/OUT	Specify when ordering			

STEP TRANSITIONS (SFB)

A step transition used to connect a standard flange system to a bolt flange system. Can be used on the inlet side for TDF Power Venters and other types of equipment using a bolt flange.

Flow Resistance:

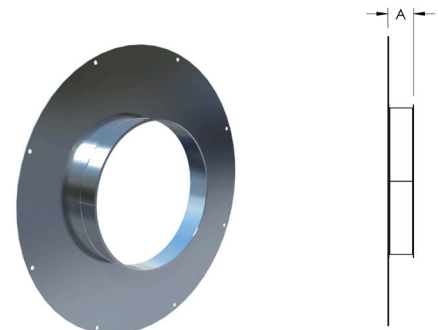
$K = 0$

Ordered parts includes:

- 1 transition
 - 1 U-band (UB)
 - 1 hardware
- For double wall chimney also:
- 1 Channel Band (CB)
 - 1 insulation

Ordered separately:

Two-piece Cover Jacket (CJ) or Closure Band (CLB)



	EPS	EPS1	EPS2	EPS4
Installed Length - A	As Specified			
Diameter - IN/OUT	Specify when ordering			

DAMPERS

MODULATING DRAFT DAMPER (MDF)

Multi-blade modulating damper equipped with fast acting actuator. Typically used to control excessive draft in chimney system. Can be installed vertically or horizontally

UL Listed to UL378 Standard for Draft Equipment and ULC Listed to ULC/ORD-C378 under file number E467733.

Flow Resistance:

Contact Factory

Temperature Rating:

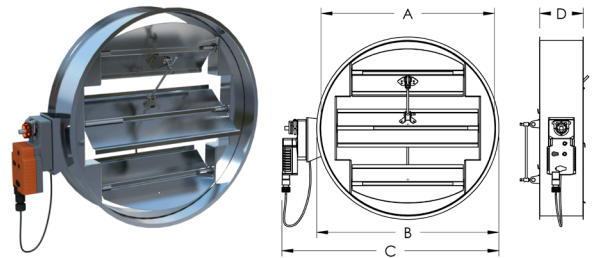
1400°F (760°C)

Ordered parts includes:

- 1 damper
- 2 U-band (UB)
- 1 Graphite gasket (GG)
- 1 Two-piece Damper Cover Jacket (DCJ)
- 1 hardware
- 1 insulation

Ordered separately:

Closure Band (CLB)



MODEL	DIMENSION			
	A	B	C	D
MDF 6	5.98 (152)	7.01 (178)	11.02 (280)	6.00 (150)
MDF 8	7.99 (203)	9.02 (229)	12.99 (330)	6.00 (150)
MDF 10	10.00 (254)	10.98 (279)	15.00 (381)	6.00 (150)
MDF 12	12.01 (305)	12.99 (330)	17.01 (432)	6.00 (150)
MDF 14	14.02 (356)	15.00 (381)	19.02 (483)	6.00 (150)
MDF 16	15.98 (406)	17.01 (432)	20.98 (533)	6.00 (150)
MDF 18	17.99 (457)	19.02 (483)	22.99 (584)	6.00 (150)
MDF 20	20.00 (508)	20.98 (533)	25.00 (635)	6.00 (150)
MDF 22	22.01 (559)	22.99 (584)	27.01 (686)	6.00 (150)
MDF 24	24.02 (610)	25.00 (635)	29.02 (737)	6.00 (150)

MODEL	DIMENSIONS			
	A	B	C	D
MDF 26	25.98 (660)	27.01 (686)	30.98 (787)	6.00 (150)
MDF 28	27.99 (711)	29.02 (737)	32.99 (838)	6.00 (150)
MDF 30	30.00 (762)	30.98 (787)	35.00 (889)	6.00 (150)
MDF 32	32.01 (813)	32.99 (838)	37.01 (940)	6.00 (150)
MDF 34	34.02 (864)	35.00 (889)	39.02 (991)	6.00 (150)
MDF 36	35.98 (914)	37.01 (940)	40.98 (1041)	6.00 (150)
MDF 38	38.03 (965)	39.02 (991)	42.99 (1092)	6.00 (150)
MDF 40	40.00 (1016)	40.98 (1041)	45.00 (1143)	6.00 (150)
MDF 42	42.01 (1067)	42.99 (1092)	47.01 (1194)	6.00 (150)
MDF 44	44.02 (1118)	45.00 (1143)	48.98 (1244)	6.00 (150)
MDF 48	48.03 (1220)	49.02 (1245)	52.99 (1346)	6.00 (150)

AUTOMATIC VENT DAMPER (ADF)

Single-blade two position damper equipped with fast acting actuator. Typically used as a vent-damper and to balance the pressure in a boiler connector. Can be installed vertically or horizontally

UL Listed to UL378 Standard for Draft Equipment and ULC Listed to ULC/ORD-C378 under file number E467733.

Flow Resistance:

Contact Factory

Temperature Rating:

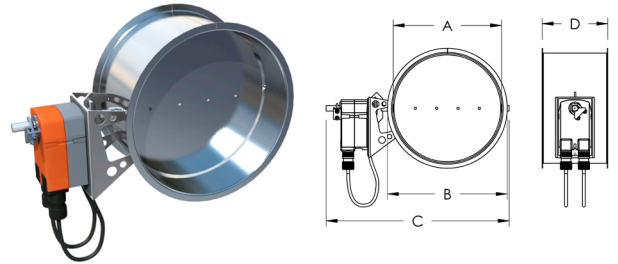
1400°F (760°C)

Ordered parts includes:

- 1 damper
- 2 U-band (UB)
- 1 Graphite Gasket (GG)
- 1 Two-piece Damper Cover Jacket (DCJ)
- 1 hardware
- 1 insulation

Ordered separately:

Closure Band (CLB)



MODEL	DIMENSION			
	A	B	C	D
ADF 6	5.98 (152)	7.01 (178)	11.02 (280)	6.00 (150)
ADF 8	7.99 (203)	9.02 (229)	12.99 (330)	6.00 (150)
ADF 10	10.00 (254)	10.98 (279)	15.00 (381)	6.00 (150)
ADF 12	12.01 (305)	12.99 (330)	17.01 (432)	6.00 (150)
ADF 14	14.02 (356)	15.00 (381)	19.02 (483)	6.00 (150)
ADF 16	15.98 (406)	17.01 (432)	20.98 (533)	6.00 (150)
ADF 18	17.99 (457)	19.02 (483)	22.99 (584)	6.00 (150)
ADF 20	20.00 (508)	20.98 (533)	25.00 (635)	6.00 (150)
ADF 22	22.01 (559)	22.99 (584)	27.01 (686)	6.00 (150)
ADF 24	24.02 (610)	25.00 (635)	29.02 (737)	6.00 (150)

MODEL	DIMENSIONS			
	A	B	C	D
ADF 26	25.98 (660)	27.01 (686)	30.98 (787)	6.00 (150)
ADF 28	27.99 (711)	29.02 (737)	32.99 (838)	6.00 (150)
ADF 30	30.00 (762)	30.98 (787)	35.00 (889)	6.00 (150)
ADF 32	32.01 (813)	32.99 (838)	37.01 (940)	6.00 (150)
ADF 34	34.02 (864)	35.00 (889)	39.02 (991)	6.00 (150)
ADF 36	35.98 (914)	37.01 (940)	40.98 (1041)	6.00 (150)

BALANCING BAFFLE (BBF)

Single-blade manually operated damper. Typically used to balance the pressure in a boiler connector. Can be installed vertically or horizontally

UL Listed to UL378 Standard for Draft Equipment and ULC Listed to ULC/ORD-C378 under file number MH61094.

Flow Resistance:

Contact Factory

Temperature Rating:

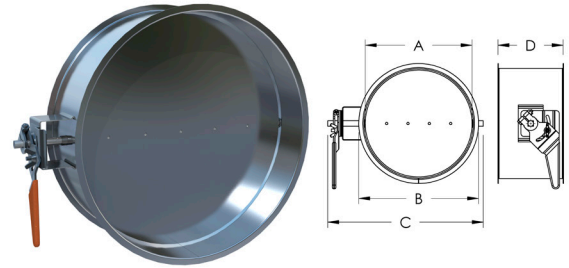
1400°F (760°C)

Ordered parts includes:

- 1 damper
- 2 U-band (UB)
- 1 Graphite Gasket (GG)
- 1 Two-piece Damper Cover Jacket (DCJ)
- 1 hardware
- 1 insulation

Ordered separately:

- Closure Band (CLB)



MODEL	DIMENSION			
	A	B	C	D
MDF 6	5.98 (152)	7.01 (178)	11.02 (280)	6.00 (150)
MDF 8	7.99 (203)	9.02 (229)	12.99 (330)	6.00 (150)
MDF 10	10.00 (254)	10.98 (279)	15.00 (381)	6.00 (150)
MDF 12	12.01 (305)	12.99 (330)	17.01 (432)	6.00 (150)
MDF 14	14.02 (356)	15.00 (381)	19.02 (483)	6.00 (150)
MDF 16	15.98 (406)	17.01 (432)	20.98 (533)	6.00 (150)
MDF 18	17.99 (457)	19.02 (483)	22.99 (584)	6.00 (150)
MDF 20	20.00 (508)	20.98 (533)	25.00 (635)	6.00 (150)
MDF 22	22.01 (559)	22.99 (584)	27.01 (686)	6.00 (150)
MDF 24	24.02 (610)	25.00 (635)	29.02 (737)	6.00 (150)

MODEL	DIMENSIONS			
	A	B	C	D
MDF 26	25.98 (660)	27.01 (686)	30.98 (787)	6.00 (150)
MDF 28	27.99 (711)	29.02 (737)	32.99 (838)	6.00 (150)
MDF 30	30.00 (762)	30.98 (787)	35.00 (889)	6.00 (150)
MDF 32	32.01 (813)	32.99 (838)	37.01 (940)	6.00 (150)
MDF 34	34.02 (864)	35.00 (889)	39.02 (991)	6.00 (150)
MDF 36	35.98 (914)	37.01 (940)	40.98 (1041)	6.00 (150)
MDF 38	38.03 (965)	39.02 (991)	42.99 (1092)	6.00 (150)
MDF 40	40.00 (1016)	40.98 (1041)	45.00 (1143)	6.00 (150)
MDF 42	42.01 (1067)	42.99 (1092)	47.01 (1194)	6.00 (150)
MDF 46	44.02 (1118)	45.00 (1143)	48.98 (1244)	6.00 (150)
MDF 48	48.03 (1220)	49.02 (1245)	52.99 (1346)	6.00 (150)

BAROMETRIC DAMPER (BDF)

Single-blade and weighted damper used to stabilize flue draft by drawing room air into the flue. Typical installed in a 90° Tee (T90) and the end of a horizontal breeching. Can only be installed horizontally.

Flow Resistance:

Contact Factory

Temperature Rating:

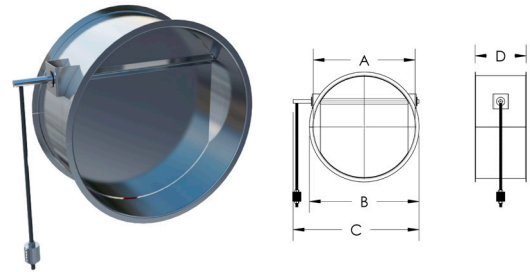
1400°F (760°C)

Ordered parts includes:

- 1 barometric damper
- 1 U-band (UB)
- 1 hardware

Ordered separately:

- Closure Band (CLB)



MODEL	DIMENSION			
	A	B	C	D
BDF 6	5.98 (152)	7.01 (178)	11.02 (280)	6.00 (150)
BDF 8	7.99 (203)	9.02 (229)	12.99 (330)	6.00 (150)
BDF 10	10.00 (254)	10.98 (279)	15.00 (381)	6.00 (150)
BDF 12	12.01 (305)	12.99 (330)	17.01 (432)	6.00 (150)
BDF 14	14.02 (356)	15.00 (381)	19.02 (483)	6.00 (150)
BDF 16	15.98 (406)	17.01 (432)	20.98 (533)	6.00 (150)
BDF 18	17.99 (457)	19.02 (483)	22.99 (584)	6.00 (150)
BDF 20	20.00 (508)	20.98 (533)	25.00 (635)	6.00 (150)
BDF 22	22.01 (559)	22.99 (584)	27.01 (686)	6.00 (150)
BDF 24	24.02 (610)	25.00 (635)	29.02 (737)	6.00 (150)

MODEL	DIMENSIONS			
	A	B	C	D
BDF 26	25.98 (660)	27.01 (686)	30.98 (787)	6.00 (150)
BDF 28	27.99 (711)	29.02 (737)	32.99 (838)	6.00 (150)
BDF 30	30.00 (762)	30.98 (787)	35.00 (889)	6.00 (150)
BDF 32	32.01 (813)	32.99 (838)	37.01 (940)	6.00 (150)
BDF 34	34.02 (864)	35.00 (889)	39.02 (991)	6.00 (150)
BDF 36	35.98 (914)	37.01 (940)	40.98 (1041)	6.00 (150)
BDF 38	38.03 (965)	39.02 (991)	42.99 (1092)	6.00 (150)
BDF 40	40.00 (1016)	40.98 (1041)	45.00 (1143)	6.00 (150)
BDF 42	42.01 (1067)	42.99 (1092)	47.01 (1194)	6.00 (150)
BDF 46	44.02 (1118)	45.00 (1143)	48.98 (1244)	6.00 (150)
BDF 48	48.03 (1220)	49.02 (1245)	52.99 (1346)	6.00 (150)

MECHANICAL DRAFT FANS

INLINE POWER VENTER (TDF)

Inline power venter for installation in a vertical or horizontal chimney sections.

Listed to UL378 Standard for Draft Equipment (pending)

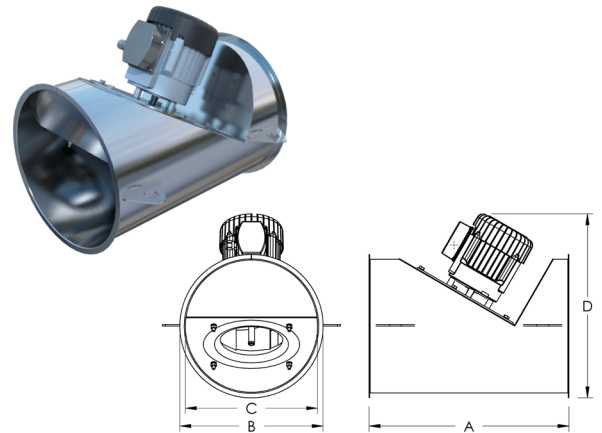
Temperature Rating:

Pending

Ordered parts includes:

- 1 TDF fan
- 2 V-bands (TDF160-250 only)
- 2 graphite gaskets

MODEL	DIMENSION				WEIGHT
	A	B	C	D	
TDF 160	18.00 (458)	13.00 (325)	12.00 (300)	14.50 (368)	38 (17)
TDF 200	21.00 (534)	15.00 (375)	14.00 (350)	18.60 (472)	45 (20)
TDF 250	24.00 (610)	17.00 (425)	16.00 (400)	20.00 (508)	61 (28)
TDF 560	45.30 (1151)	35.00 (889)	32.00 (813)	43.40 (1102)	378 (172)
TDF 620	55.30 (1405)	39.00 (991)	36.00 (914)	45.60 (1158)	432 (196)
TDF 685	62.30 (1582)	45.20 (1148)	42.00 (1067)	53.00 (1346)	502 (228)



For installation:

- TDF 160-250 - use two Transitions for Flanged Connections (TFF)
- TDF 560-685 - use two Transitions for Bolt Flange Connections (TFB)

INLINE POWER VENTER (IPVB)

Inline power venter for installation in a vertical or horizontal chimney sections.

Listed to UL378 Standard for Draft Equipment

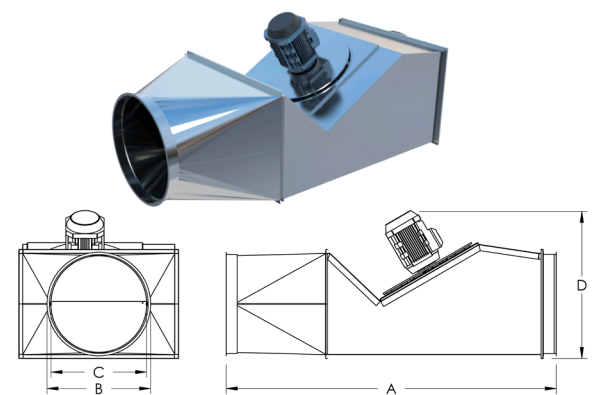
Temperature Rating:

575°F (300°C) - Continuous

Ordered parts includes:

- 2 V-bands (TDF160-250 only)
- 1 graphite gasket

MODEL	DIMENSION				WEIGHT
	A	B	C	D	
IPVB 300	47.10 (1199)	13.00 (330)	12.10 (306)	21.60 (549)	75 (34)
IPVB 350	51.20 (1300)	14.60 (371)	14.00 (356)	24.60 (625)	94 (43)
IPVB 400	56.80 (1443)	17.00 (432)	16.00 (406)	26.30 (668)	128 (58)
IPVB 500	66.90 (1699)	21.30 (541)	20.00 (508)	30.00 (762)	182 (83)



For installation:

- Use Transitions for Flanged Connections (TFF) or Tapered Increases (TI) /Reducers (TR).
- Model IPVB 500 requires an IM ring to connect to the EPS.

CHIMNEY TERMINATION FAN (RSV)

Termination fan for installation at the end of a chimney.

Listed to UL378 Standard for Draft Equipment.

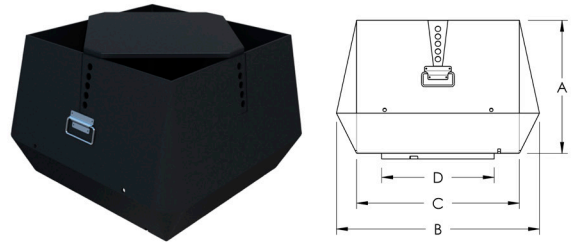
Temperature Rating:

575°F (300°C) - Continuous

Ordered parts includes:

1 Silicone (HSI)

MODEL	DIMENSION				WEIGHT
	A	B	C	D	
RSV 200	11.03 (280)	15.37 (390)	12.22 (310)	7.88 (200)	47 (18)
RSV 250	13.20 (335)	19.11 (485)	15.17 (385)	9.85 (250)	60 (26)
RSV 315	14.97 (380)	22.85 (580)	18.32 (465)	12.41 (315)	88 (35)
RSV 400	16.94 (430)	25.61 (650)	20.69 (525)	15.76 (400)	127 (58)
RSV 450	23.23 (590)	25.61 (650)	20.69 (525)	15.76 (400)	155 (70)



For installation, use Fan Plate Adapter (FA)

ECONOMIZERS

ECONOMIZER - SINGLE ROW (VHX)

A single-row, modular flue gas economizer, and modulating by-pass. Hybrid microchannel/plate heat exchanger modules. Made entirely in stainless steel 316L.

Flow Resistance:

Contact Factory

Temperature Rating:

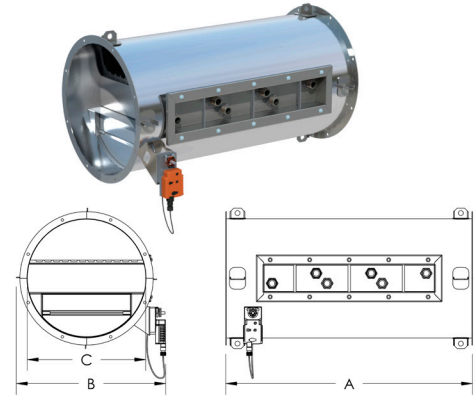
375°F (190°C)

Ordered parts includes:

- 1 Economizer
- 1 Modulating by-pass damper
- 1 Modulating Actuator

Number of Flange Holes:

8 at 45°



MODEL	DIMENSION			WEIGHT	
	A	B	C	DRY	WET
VHX100-10	24.0 (610)	14.0 (356)	12.0 (305)	69 (31)	75 (34)
VHX250-10	24.0 (610)	18.0 (457)	16.0 (406)	75 (34)	82 (37)
VHX400-10	28.0 (711)	20.0 (508)	18.0 (457)	120 (54)	131 (59)
VHX800-20	39.0 (990)	24.0 (610)	22.0 (559)	192 (87)	214 (97)
VHX1200-30	50.0 (1270)	26.0 (660)	24.0 (610)	273 (124)	306 (139)
VHX1600-40	61.0 (1550)	30.0 (752)	28.0 (711)	350 (159)	394 (179)
VHX2400-50	72.0 (1914)	38.0 (965)	36.0 (914)	431 (195)	486 (220)
VHX3200-60	83.0 (2108)	44.0 (1118)	42.0 (1067)	512 (232)	578 (262)

For installation:

VHX100-10 to VHX400-10 - use two Tapered Increases (TI) or Reducers (TR)

All other VHX - use two Transitions for Bolt Flange Connections (TFB)

ECONOMIZER - DOUBLE ROW (VHX)

A double-row, modular flue gas economizer and modulating by-pass. Hybrid microchannel/plate heat exchanger modules. Made entirely in stainless steel 316L.

Flow Resistance:

Contact Factory

Temperature Rating:

375°F (190°C)

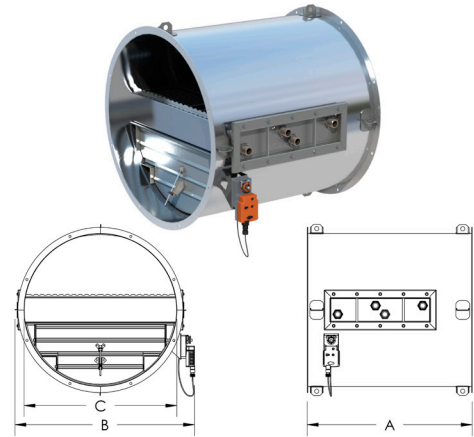
Ordered parts includes:

- 1 Economizer
- 1 Modulating by-pass damper
- 1 Modulating Actuator

Number of Flange Holes:

8 at 45°

MODEL	DIMENSION			WEIGHT	
	A	B	C	DRY	WET
VHX800-11	28.0 (711)	39.0 (965)	36.0 (914)	192 (87)	214 (97)
VHX1200-21	39.0 (991)	39.0 (965)	36.0 (914)	273 (124)	306 (139)
VHX1600-22	39.0 (991)	39.0 (965)	36.0 (914)	350 (159)	394 (179)
VHX2400-32	50.0 (1270)	39.0 (965)	36.0 (914)	431 (195)	486 (220)
VHX3200-33	50.0 (1270)	39.0 (965)	36.0 (914)	512 (232)	578 (262)
VHX4200-44	65.0 (1651)	45.0 (1143)	42.0 (1067)	588 (267)	665 (302)
VHX5400-55	78.0 (1981)	49.0 (1245)	46.0 (1168)	667 (303)	755 (342)



For installation, use two Transitions for Bolt Flange Connections (TFB).

ECONOMIZER - STACKED ROWS (VHX)

A double-stacked, modular flue gas economizer with integrated and modulating by-pass. Hybrid microchannel/plate heat exchanger modules. Made entirely in stainless steel 316L

Temperature Rating:

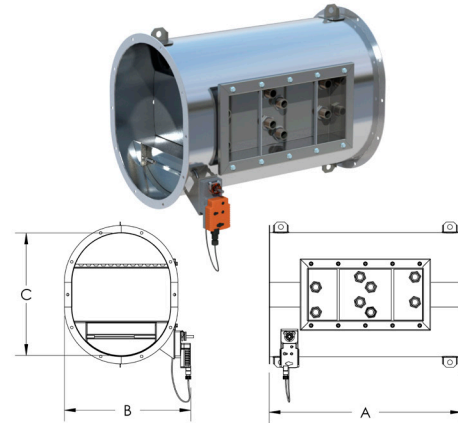
1400°F (760°C)

Ordered parts includes:

- 1 Economizer
- 1 Modulating by-pass damper
- 1 Modulating Actuator

Number of Flange Holes:

Custom



For installation, use two Transitions for Bolt Flange Connections (LTB).

MODEL	DIMENSION			WEIGHT	
	A	B	C	DRY	WET
VHX250-10S	24.0 (610)	R9X20H	R6X17H	99 (45)	107 (49)
VHX400-10S	28.0 (711)	R12X26H	R9X23H	166 (75)	188 (85)
VHX800-20S	39.0 (991)	R14X30H	R11X27H	281 (127)	325 (147)
VHX1200-30S	50.0 (1270)	R15X31H	R12X28H	406 (184)	472 (214)
VHX1600-40S	61.0 (1549)	R17X36H	R14X33H	527 (239)	615 (279)
VHX2400-32S	50.0 (1270)	R27X44H	R18X41H	652 (296)	762 (346)
VHX3200-33S	50.0 (1270)	R27X44H	R18X41H	777 (353)	909 (412)
VHX4200-44S	65.0 (1651)	R24X50H	R21X47H	588 (267)	764 (347)
VHX540055S	78.0 (1981)	R26X60H	R23X57H	667 (303)	887 (402)

DESIGN SERVICE


COMPLETE DESIGN SUPPORT

ENERVEX provides complete design service including:

- Chimney design calculations
- 3D SolidWorks and ACAD drawings
- 2D ACAD drawings
- Bill of Material
- Installation drawings
- Fan cruves
- Connection diagrams
- Wiring diagrams
- Heat recovery calculations
- Piping diagrams

CHIMNEY CALCULATION DETAILS

FanCalc Results



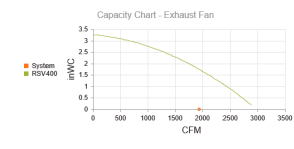
FanCalc Job # F-4937
 Job/Project Name Centro Rotana Hotel
 Prepared for Bandi Thaguri
 Company TIG-TESCO
 Prepared by Steen Hagensen
 Email steenh@enervex.com

System Data


System Type	Blower Vert Sizing	Description	Centro Rotana
Local Altitude	0 ft.	Ambient Temp.	80 °F

Results and Solution

Exhaust
 Based on
 1938 CFM @ 0 mVWC



Component Data



Manufacturer	Model	Label	Cur	Fuel	Input (MBTU)	CO2 %	Temp. Rex (°F)	Pressure (inWC)
IB Cochran	Wire Chalklin 2.5-142 Dia	II		No. 2 Oil	1200-8200	10.5-11.5	350-380	-0.50 to 0.50
IB Cochran	Wire Chalklin 2.5-142 Dia	II		No. 2 Oil	1200-8200	10.5-11.5	350-380	-0.50 to 0.50

System - Mechanical

Model	Size (in)	Vel (ft/s)	Head (ft)	Mass (lbm)	Vel (ft/s)	CO2%	Temp (°F)	Drift (inWC)	Loss (inWC)	Drain (°F)	ADDP (inWC)	Embed. RL	Embed. SLL
subline Pressure	14	2	0	6280	983	11.50	440	0.01	0.14	115	0.00	0	0
subline Pressure	18	0	12	6280	1133	11.50	440	0.00	0.00	115	0.00	0	0
subline Pressure	14	2	0	527	114	0.00	90	0.00	-0.02	40	0.00	0	0
subline Pressure	18	0	24	6792	1191	10.46	404	0.00	0.05	112	0.00	0	0
subline Pressure	18	120	0	6792	1138	10.46	398	0.00	0.09	112	0.00	0	0

System - Gravity

Model	Size (in)	Vel (ft/s)	Head (ft)	Mass (lbm)	Vel (ft/s)	CO2%	Temp (°F)	Drift (inWC)	Loss (inWC)	Drain (°F)	ADDP (inWC)	Embed. RL	Embed. SLL
subline Pressure	14	2	0	6280	983	11.50	440	0.01	0.14	115	0.00	0	0
subline Pressure	18	0	12	6280	1133	11.50	440	0.00	0.00	115	0.00	0	0
subline Pressure	14	2	0	527	114	0.00	90	0.00	-0.02	40	0.00	0	0
subline Pressure	18	0	24	6792	1191	10.46	404	0.00	0.05	112	0.00	0	0
subline Pressure	18	120	0	6792	1138	10.46	398	0.00	0.09	112	0.00	0	0


I Load Analysis - Mechanical

Status	Input MBTU	Mass Btu	sWVC @ 70°F	sWVC @ 90°F	sWVC @ 100°F	Temp. °F	Min. spm	Max. spm
MAX(1)	6300	6762	-0.365	-0.291	-0.230	398	1133	983
MIN(1)	1930	1955	-0.444	-0.390	-0.290	221	301	505
SP(2)	0	1063	-0.059	0.005	0.092	90	100000	0
OFF(1) MIN(2)	1930	1955	-0.463	-0.396	-0.312	229	340	505

Partial Load Analysis - Gravity

Status	Input MBTU	Mass Btu	sWVC @ 70°F	sWVC @ 90°F	sWVC @ 100°F	Temp. °F	Min. spm	Max. spm
SP(2) MAX(1)	6300	6762	-0.365	-0.291	-0.230	398	1133	983
SP(2) MIN(1)	1930	1955	-0.444	-0.390	-0.290	221	301	505

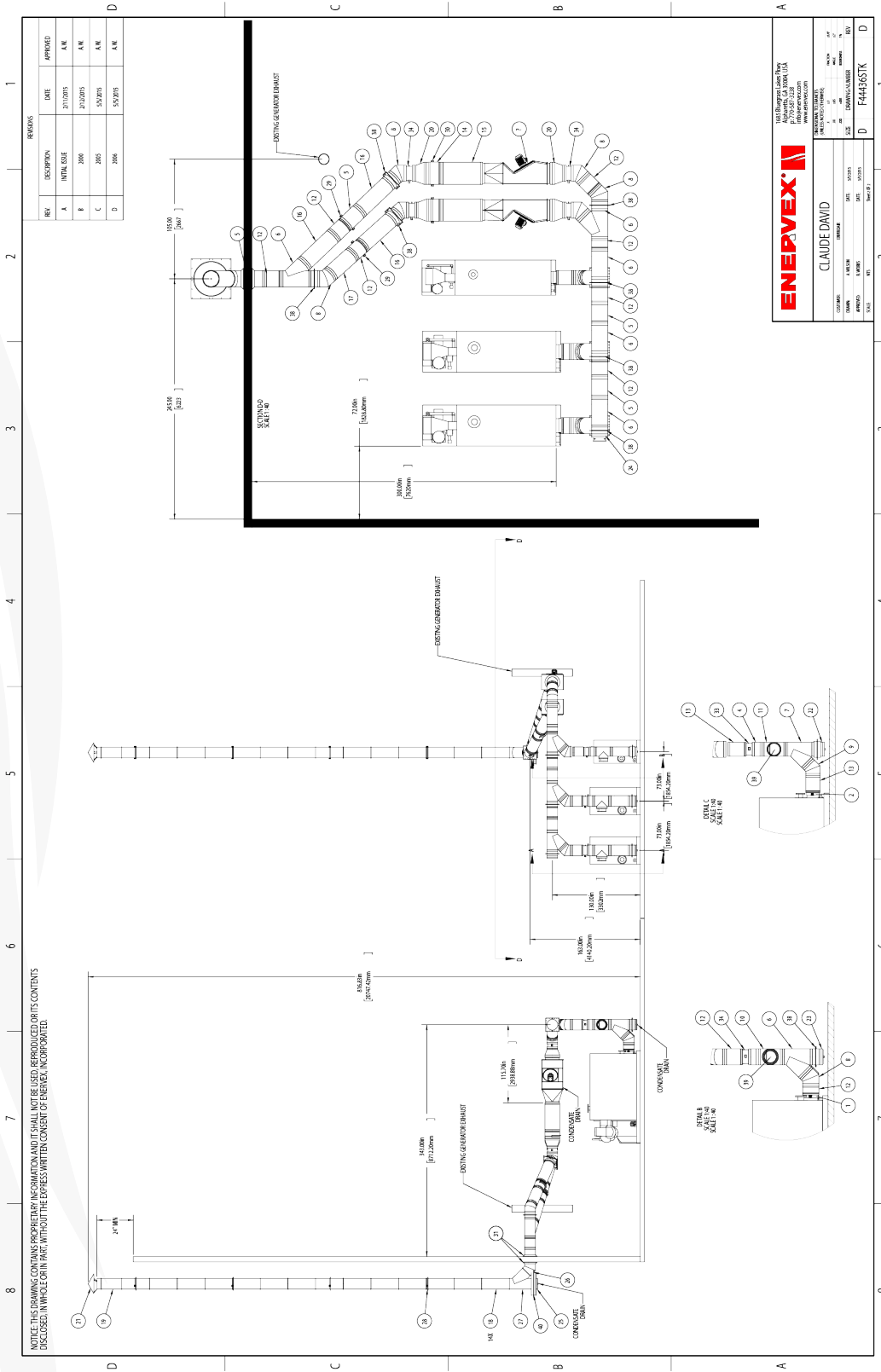
Bill of Materials



Job # F-4937
 Project Name Centro Rotana Hotel
 Prepared for Bandi Thaguri
 Company TIG-TESCO
 Prepared by Steen Hagensen
 Email steenh@enervex.com

Units	Item No	Description 1	Description 2
	EXH4012	RSV 400, 400/370	1 OHP, ETL-labeled
	EXH4383	ABB ACS355, 1.5HP, 400V	3x380-480V NEMA1+Panel
	PRT2000	Motor Disconnect Switch	NEMA 4x Enclosure
	EXH4084	EBC31 Modulating Draft Control	w/ XTP-sensor
	FR4018	18" SCA-RS16, RSV160315400/450	Steel Chimney Adapter
	EXH4080	181D Bal. Baffle, BBF 316SS	Flanged w/roilite bearings
	EXH4059	141D Bal. Baffle, BBF 316SS	Flanged w/roilite bearings
	EXH4504	18" MDF Actuator 3 blade 316SS	Stainless Steel for MODS
	EXH4085	MODS Module EBC31	
	EXH1142	OPS, Over-Pressure Switch	Honeywell - for MODS
	EXH1147-2	Stack Pulsation Filter 1/2	1 INHL, 2 outlets

INSTALLATION DETAILS



ENERVEX

14450 Sherman Ave. Ste. 100
 Hayward, CA 94618 USA
 Phone: 925.786.8800
 Fax: 925.786.8801
 Email: info@enervex.com

CLAUDE DAVID

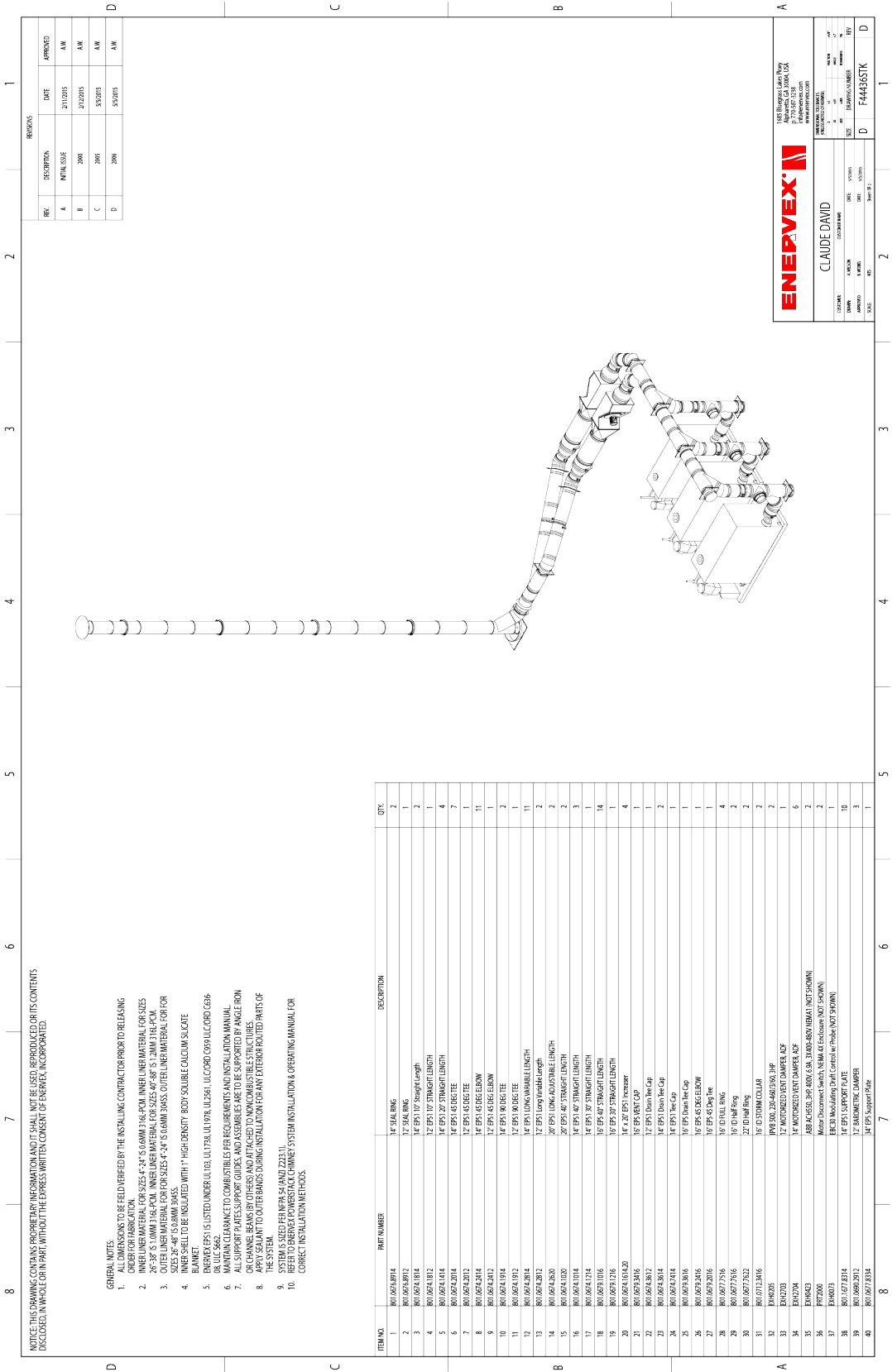
DATE: 5/2/15
 DRAWN BY: CD
 CHECKED BY: MK
 SCALE: 1/8" = 1'-0"

PROJECT: 14450 SHERMAN AVE. STE. 100
 SHEET: 1 OF 1

REVISIONS: 1
 1. 5/2/15 CD MK 14450 SHERMAN AVE. STE. 100

PROJECT NUMBER: D F44935TK

BILL OF MATERIAL AND ISOMETRIC ILLUSTRATIONS



NOTE: THIS DRAWING CONTAINS PROPRIETARY INFORMATION AND IT SHALL NOT BE USED, REPRODUCED OR ITS CONTENTS DISCLOSED, IN WHOLE OR IN PART, WITHOUT THE EXPRESS WRITTEN CONSENT OF ENERVEX, INCORPORATED.

GENERAL NOTES:

1. ALL DIMENSIONS TO BE FIELD VERIFIED BY THE INSTALLING CONTRACTOR PRIOR TO RELEASING ORDER FOR FABRICATION.
2. INNER LINER MATERIAL FOR SIZES 4" - 24" IS 0.6MM 316L P304L INNER LINER MATERIAL FOR SIZES 26" - 36" IS 3.0MM 316L P304L INNER LINER MATERIAL FOR SIZES 40" - 60" IS 1.2MM 316L P304L OUTER LINER MATERIAL FOR SIZES 4" - 24" IS 0.6MM 304SS OUTER LINER MATERIAL FOR SIZES 26" - 36" IS 0.6MM 304SS OUTER LINER MATERIAL FOR SIZES 40" - 60" IS 0.6MM 304SS OUTER LINER MATERIAL. INNER SHELL TO BE INSULATED WITH 1" HIGH DENSITY 800Y SOLUBLE CALCIUM SILICATE BLANKET.
3. ENERVEX IS LISTED UNDER UL FILE # 1738, UL 197R, UL 2591, UL 2591-1, UL 2591-2, UL 2591-3, UL 2591-4, UL 2591-5, UL 2591-6, UL 2591-7, UL 2591-8, UL 2591-9, UL 2591-10, UL 2591-11, UL 2591-12, UL 2591-13, UL 2591-14, UL 2591-15, UL 2591-16, UL 2591-17, UL 2591-18, UL 2591-19, UL 2591-20, UL 2591-21, UL 2591-22, UL 2591-23, UL 2591-24, UL 2591-25, UL 2591-26, UL 2591-27, UL 2591-28, UL 2591-29, UL 2591-30, UL 2591-31, UL 2591-32, UL 2591-33, UL 2591-34, UL 2591-35, UL 2591-36, UL 2591-37, UL 2591-38, UL 2591-39, UL 2591-40, UL 2591-41, UL 2591-42, UL 2591-43, UL 2591-44, UL 2591-45, UL 2591-46, UL 2591-47, UL 2591-48, UL 2591-49, UL 2591-50, UL 2591-51, UL 2591-52, UL 2591-53, UL 2591-54, UL 2591-55, UL 2591-56, UL 2591-57, UL 2591-58, UL 2591-59, UL 2591-60, UL 2591-61, UL 2591-62, UL 2591-63, UL 2591-64, UL 2591-65, UL 2591-66, UL 2591-67, UL 2591-68, UL 2591-69, UL 2591-70, UL 2591-71, UL 2591-72, UL 2591-73, UL 2591-74, UL 2591-75, UL 2591-76, UL 2591-77, UL 2591-78, UL 2591-79, UL 2591-80, UL 2591-81, UL 2591-82, UL 2591-83, UL 2591-84, UL 2591-85, UL 2591-86, UL 2591-87, UL 2591-88, UL 2591-89, UL 2591-90, UL 2591-91, UL 2591-92, UL 2591-93, UL 2591-94, UL 2591-95, UL 2591-96, UL 2591-97, UL 2591-98, UL 2591-99, UL 2591-100.
4. ENERVEX IS LISTED UNDER UL FILE # 1738, UL 197R, UL 2591, UL 2591-1, UL 2591-2, UL 2591-3, UL 2591-4, UL 2591-5, UL 2591-6, UL 2591-7, UL 2591-8, UL 2591-9, UL 2591-10, UL 2591-11, UL 2591-12, UL 2591-13, UL 2591-14, UL 2591-15, UL 2591-16, UL 2591-17, UL 2591-18, UL 2591-19, UL 2591-20, UL 2591-21, UL 2591-22, UL 2591-23, UL 2591-24, UL 2591-25, UL 2591-26, UL 2591-27, UL 2591-28, UL 2591-29, UL 2591-30, UL 2591-31, UL 2591-32, UL 2591-33, UL 2591-34, UL 2591-35, UL 2591-36, UL 2591-37, UL 2591-38, UL 2591-39, UL 2591-40, UL 2591-41, UL 2591-42, UL 2591-43, UL 2591-44, UL 2591-45, UL 2591-46, UL 2591-47, UL 2591-48, UL 2591-49, UL 2591-50, UL 2591-51, UL 2591-52, UL 2591-53, UL 2591-54, UL 2591-55, UL 2591-56, UL 2591-57, UL 2591-58, UL 2591-59, UL 2591-60, UL 2591-61, UL 2591-62, UL 2591-63, UL 2591-64, UL 2591-65, UL 2591-66, UL 2591-67, UL 2591-68, UL 2591-69, UL 2591-70, UL 2591-71, UL 2591-72, UL 2591-73, UL 2591-74, UL 2591-75, UL 2591-76, UL 2591-77, UL 2591-78, UL 2591-79, UL 2591-80, UL 2591-81, UL 2591-82, UL 2591-83, UL 2591-84, UL 2591-85, UL 2591-86, UL 2591-87, UL 2591-88, UL 2591-89, UL 2591-90, UL 2591-91, UL 2591-92, UL 2591-93, UL 2591-94, UL 2591-95, UL 2591-96, UL 2591-97, UL 2591-98, UL 2591-99, UL 2591-100.
5. ENERVEX IS LISTED UNDER UL FILE # 1738, UL 197R, UL 2591, UL 2591-1, UL 2591-2, UL 2591-3, UL 2591-4, UL 2591-5, UL 2591-6, UL 2591-7, UL 2591-8, UL 2591-9, UL 2591-10, UL 2591-11, UL 2591-12, UL 2591-13, UL 2591-14, UL 2591-15, UL 2591-16, UL 2591-17, UL 2591-18, UL 2591-19, UL 2591-20, UL 2591-21, UL 2591-22, UL 2591-23, UL 2591-24, UL 2591-25, UL 2591-26, UL 2591-27, UL 2591-28, UL 2591-29, UL 2591-30, UL 2591-31, UL 2591-32, UL 2591-33, UL 2591-34, UL 2591-35, UL 2591-36, UL 2591-37, UL 2591-38, UL 2591-39, UL 2591-40, UL 2591-41, UL 2591-42, UL 2591-43, UL 2591-44, UL 2591-45, UL 2591-46, UL 2591-47, UL 2591-48, UL 2591-49, UL 2591-50, UL 2591-51, UL 2591-52, UL 2591-53, UL 2591-54, UL 2591-55, UL 2591-56, UL 2591-57, UL 2591-58, UL 2591-59, UL 2591-60, UL 2591-61, UL 2591-62, UL 2591-63, UL 2591-64, UL 2591-65, UL 2591-66, UL 2591-67, UL 2591-68, UL 2591-69, UL 2591-70, UL 2591-71, UL 2591-72, UL 2591-73, UL 2591-74, UL 2591-75, UL 2591-76, UL 2591-77, UL 2591-78, UL 2591-79, UL 2591-80, UL 2591-81, UL 2591-82, UL 2591-83, UL 2591-84, UL 2591-85, UL 2591-86, UL 2591-87, UL 2591-88, UL 2591-89, UL 2591-90, UL 2591-91, UL 2591-92, UL 2591-93, UL 2591-94, UL 2591-95, UL 2591-96, UL 2591-97, UL 2591-98, UL 2591-99, UL 2591-100.
6. ALL SUPPORT PARTS, SUPPORT GUIDES, AND ASSEMBLIES TO BE SUPPORTED BY ANGLE IRON OR CHANNEL BEAMS (BY OTHERS) AND ATTACHED TO NON-COMBUSTIBLE STRUCTURES.
7. APPLY SEALANT TO OUTER BANDS DURING INSTALLATION FOR ANY EXTERIOR ROUTED PARTS OF THE SYSTEM.
8. REFER TO ENERVEX POWERSTACK CHANNEL SYSTEM INSTALLATION & OPERATING MANUAL FOR CORRECT INSTALLATION METHODS.

ITEM NO.	PART NUMBER	DESCRIPTION	QTY.
1	B01.624.814	1" SEAL RING	2
2	B01.624.814	1" SEAL RING	1
3	B01.624.814	1" SEAL RING	1
4	B01.624.814	1" SEAL RING	2
5	B01.624.814	1" SEAL RING	4
6	B01.624.814	1" SEAL RING	7
7	B01.624.814	1" SEAL RING	11
8	B01.624.814	1" SEAL RING	1
9	B01.624.814	1" SEAL RING	2
10	B01.624.814	1" SEAL RING	2
11	B01.624.814	1" SEAL RING	11
12	B01.624.814	1" SEAL RING	2
13	B01.624.814	1" SEAL RING	2
14	B01.624.814	1" SEAL RING	2
15	B01.624.814	1" SEAL RING	3
16	B01.624.814	1" SEAL RING	1
17	B01.624.814	1" SEAL RING	14
18	B01.624.814	1" SEAL RING	4
19	B01.624.814	1" SEAL RING	4
20	B01.624.814	1" SEAL RING	1
21	B01.624.814	1" SEAL RING	2
22	B01.624.814	1" SEAL RING	2
23	B01.624.814	1" SEAL RING	1
24	B01.624.814	1" SEAL RING	1
25	B01.624.814	1" SEAL RING	1
26	B01.624.814	1" SEAL RING	1
27	B01.624.814	1" SEAL RING	4
28	B01.624.814	1" SEAL RING	2
29	B01.624.814	1" SEAL RING	2
30	B01.624.814	1" SEAL RING	2
31	B01.624.814	1" SEAL RING	2
32	B01.624.814	1" SEAL RING	2
33	B01.624.814	1" SEAL RING	2
34	B01.624.814	1" SEAL RING	2
35	B01.624.814	1" SEAL RING	2
36	B01.624.814	1" SEAL RING	2
37	B01.624.814	1" SEAL RING	10
38	B01.624.814	1" SEAL RING	3
39	B01.624.814	1" SEAL RING	1
40	B01.624.814	1" SEAL RING	1

ENERVEX
VENTING DESIGN SOLUTIONS

1665 Bluegrass Lake Hwy
St. Louis, MO 63107
P: 636.337.1232
F: 636.337.1233
www.enervex.com

ENERVEX PROJECT INFORMATION

OWNER	CLAUDE DAVID
DESIGNER	CLAUDE DAVID
DATE	05/21/2015
SCALE	AS SHOWN
SHEET NO.	1 OF 1
TITLE	ENERVEX PROJECT INFORMATION
PROJECT NO.	F444855K

REV.	DESCRIPTION	DATE	APPROVED
A	INITIAL ISSUE	2/11/2015	AW
B		2/12/2015	AW
C		3/20/2015	AW
D		5/20/2015	AW

WARRANTY

1-YEAR WARRANTY

ENERVEX Inc. ("ENERVEX") warrants the chimney and engine exhaust system and components against functional failure due to defects in material and workmanship for a period of one year from date of delivery to the construction site. Functional failure is defined as any failure of the system or component to perform its intended function of exhausting, without adverse leakage, combustion by-products from engine operation or heating equipment. During this period, any system or component supplied by ENERVEX failing to perform its intended function will be repaired or replaced at the manufacturer's option, following determination by a factory-authorized inspector that a functional failure has occurred. This warranty is limited to repair or replacement of the product plus shipping cost to the failure location. This warranty does not cover any labor costs for removal or replacement of the defective product, nor does this warranty cover any system components not furnished by ENERVEX and installed as part of the system.

This limited warranty is extended to the purchaser subject to the satisfaction of the following conditions:

- 1) Generally accepted engineering practices have been followed to determine that sizing and material specifications are suitable for the application and environment involved.
- 2) The undamaged components have been correctly installed in accordance with the installation instructions published by ENERVEX at the time of shipment.
- 3) Damage is not a result of burning garbage, waste oil, #6 oil or any other prohibitive material in the appliance served by the venting system.

Disclaimer:

ENERVEX assumes no liability for incidental or consequential damages of any kind or for any damages resulting in whole or in part from misuse, improper installation, or inadequate maintenance of the system or any component part thereof.

This warranty is in lieu of all other express warranties or guarantees of any kind. All implied warranties, including merchantability and fitness, are limited to the duration of the express warranty contained herein. ENERVEX neither assumes nor does it authorize any other person to assume on its behalf any other liability in connection with the sale of its products.

ANY IMPLIED WARRANTY OF MERCHANTABILITY OR FITNESS FOR A PARTICULAR PURPOSE IS LIMITED IN DURATION TO THE WARRANTY PERIOD SPECIFIED ABOVE. WE DISCLAIM ANY LIABILITY FOR CONSEQUENTIAL OR INCIDENTAL DAMAGES AND ANY LOSS OR EXPENSE(S), NOT SPECIFIED ABOVE. SOME STATES MAY NOT ALLOW THE EXCLUSION OR LIMITATION OF INCIDENTAL OR CONSEQUENTIAL DAMAGES, OR HOW LONG AN IMPLIED WARRANTY LASTS, SO THE ABOVE EXCLUSIONS OR LIMITATIONS MAY NOT APPLY TO YOU. THIS WARRANTY GIVES YOU SPECIFIC LEGAL RIGHTS AND YOU MAY ALSO HAVE LEGAL RIGHTS WHICH VARY FROM STATE TO STATE OR PROVINCE TO PROVINCE.

EXTENDED 15-YEAR WARRANTY

This limited warranty is extended to the purchaser for fifteen years, subject to the satisfaction of the following conditions:

- 1) System sizing and design has been performed by ENERVEX personnel, and design parameters provided to ENERVEX by the responsible engineer were and are accurately representative of the operating conditions.
- 2) The undamaged components have been correctly installed in accordance with system design and sizing as performed by ENERVEX and installation instructions published by ENERVEX at the time of shipment.
- 3) Proper precautions have been taken to insure that boiler or engine combustion air is free of solvent or refrigerant vapors or any halogenated compound which may cause acid condensates to form within the chimney.
- 4) Damage is not a result of burning garbage, waste oil, #6 oil or any other prohibitive material in the appliance served by the venting system.
- 5) ENERVEX has supplied the entire chimney or exhaust system from boiler/engine outlet to the termination of the stack. The ENERVEX 15&1 Warranty applies to the following products: EPS, EPS1, EPS2 and EPS4 used in Commercial/Industrial/Institutional applications.