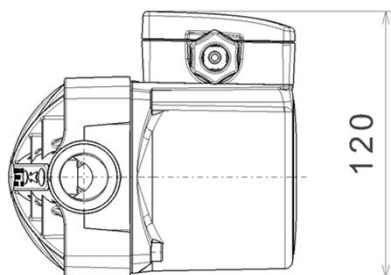
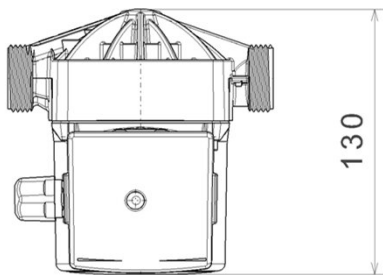
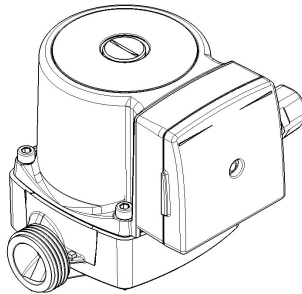
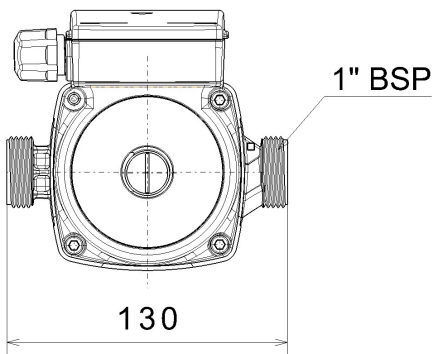
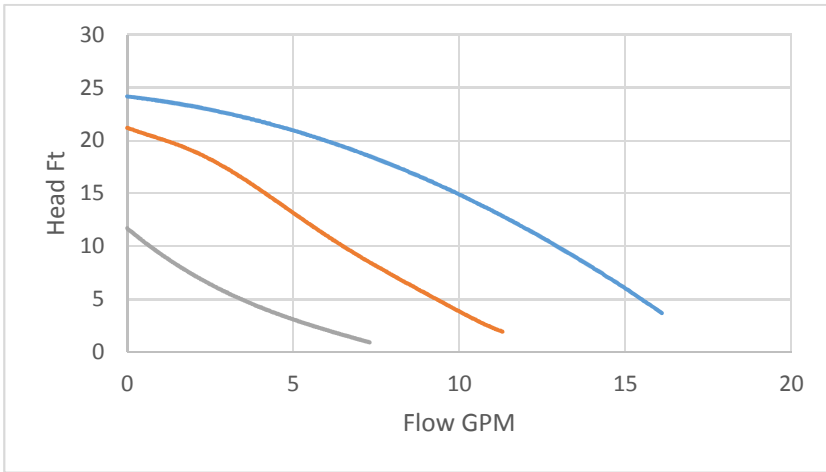


UPS15-78 RU

Part Number: TBD
 Housing Material: Composite
 Max Liq. temp: 230°F
 Min Liq. temp: 36°F
 Max System press: 145 psi
 Input Voltage: 1x115V +/- 10%
 Frequency: 60 Hz
 Enclosure class: IP42
 Max Amperage: 1.17A



*Dimensions in mm.

*Drawing and dimensions for reference only.

JUN 2015